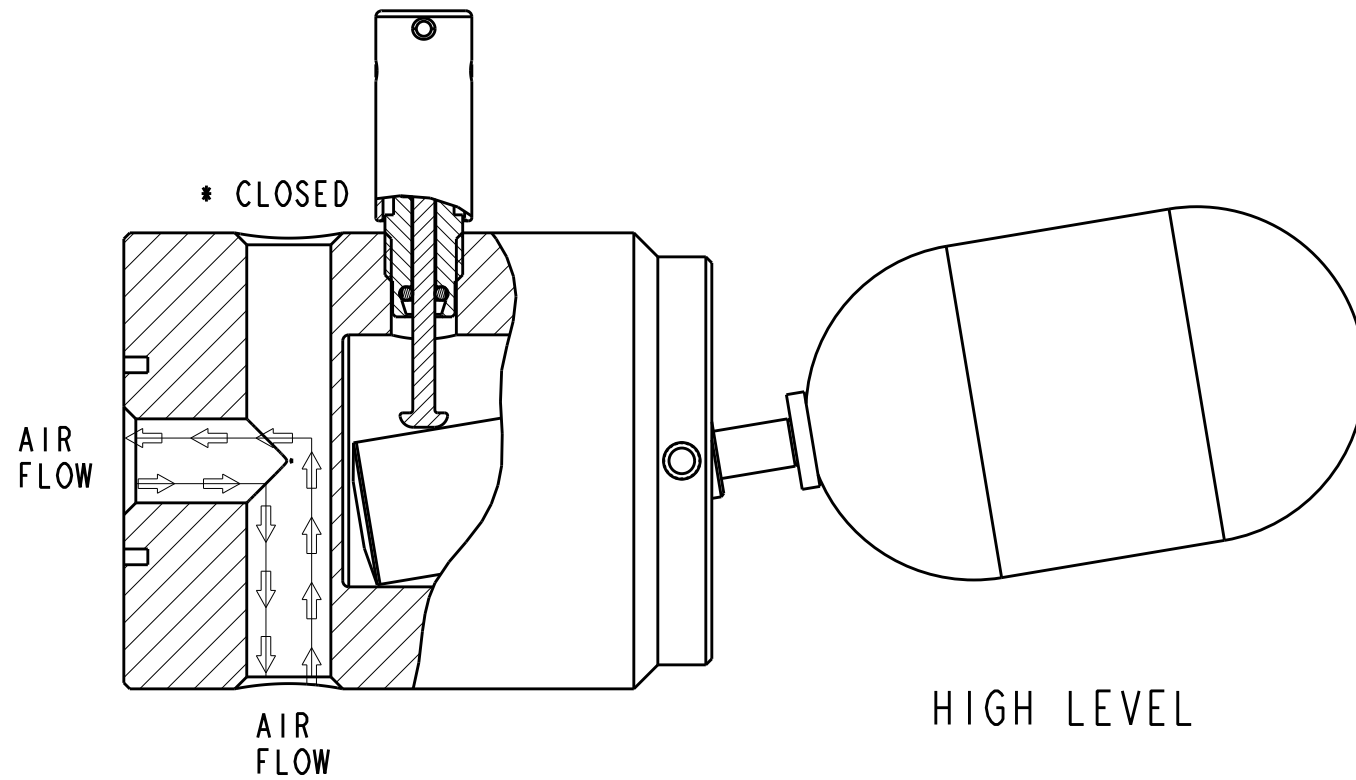
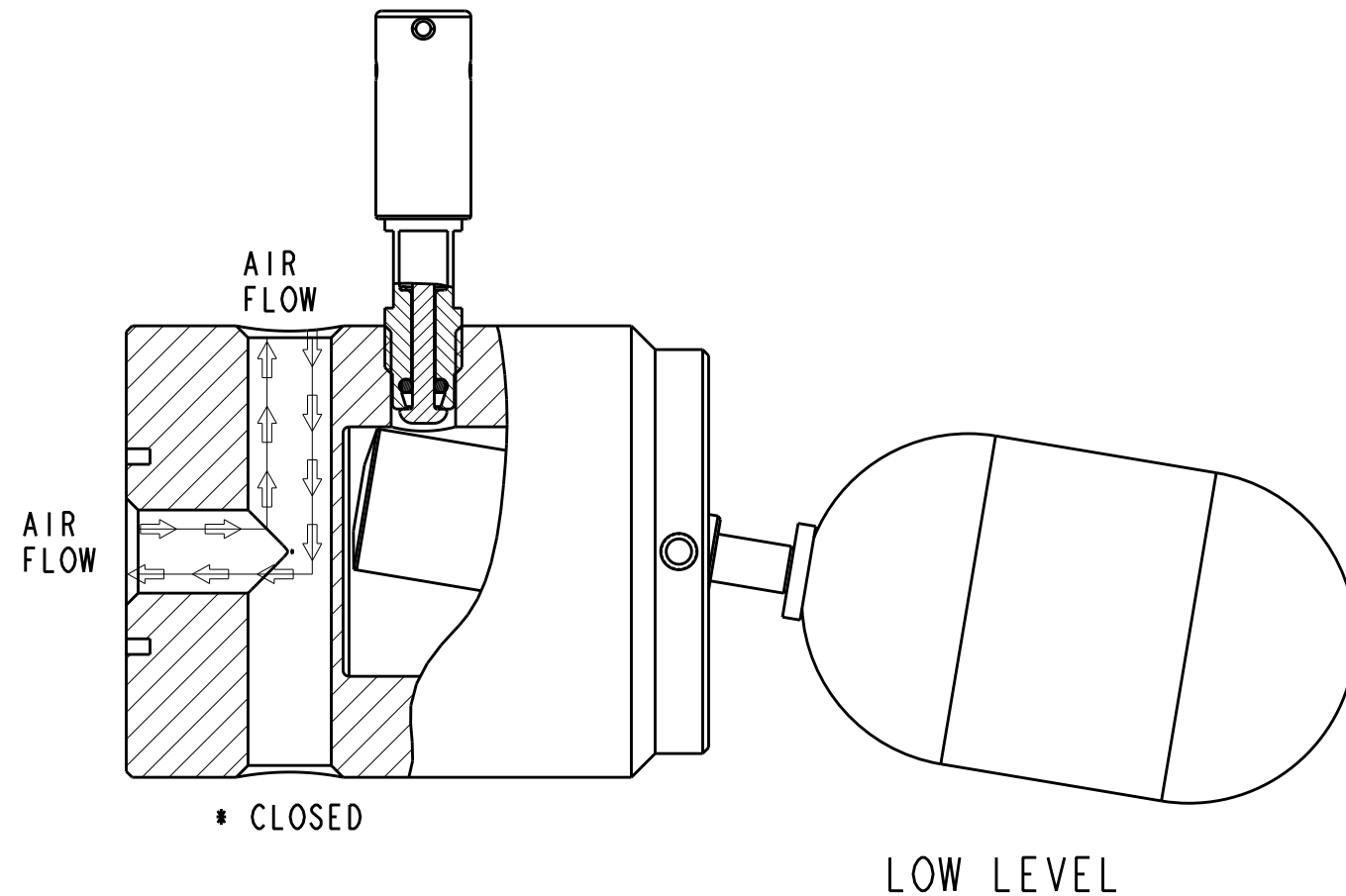
 14685 W. 105TH LENEXA, KANSAS 66215 PH# 913-888-2630 WWW.SORINC.COM	
PRODUCT CERTIFICATION DRAWING ALL DIMENSIONS ARE $\pm 1/16$ IN UNLESS OTHERWISE SPECIFIED LINEAR = MM IN	DRAWN BY: MSMITH
	CHECKED BY: JREHM
THIS DRAWING IS THE EXCLUSIVE PROPERTY OF SOR. NO USE WHATSOEVER OF THE INFORMATION CONTAINED HEREON, NOR REPRODUCTION IN WHOLE OR PART MAY BE MADE WITHOUT THE EXPRESS WRITTEN PERMISSION OF SOR.	ENGINEER APPROVAL: SBOAL
	DATE: 3/2/10
TITLE: DIM DWG 1540 PNEUMATIC LEVEL SWITCH W/ MC/MD OPTIONS	
EO NUMBER: 5046	DRAWING NO.: 0091448
SCALE: 1.00	REV. I
SHEET 1 OF 2	
DO NOT SCALE PRINT	



* DO NOT PLUG THIS PORT. DURING ACTUATION AND RESET, TRAPPED AIR IN THE SENSOR MUST ESCAPE FOR THE UNIT TO OPERATE PROPERLY.



SOR 14685 W. 105TH LENEXA, KANSAS 66215
 ISO-9001 PH# 913-888-2630
 WWW.SORINC.COM

PRODUCT CERTIFICATION DRAWING ALL DIMENSIONS ARE $\pm 1/16$ IN UNLESS OTHERWISE SPECIFIED LINEAR = MM IN	DRAWN BY: MSMITH
	CHECKED BY: JREHM
	ENGINEER APPROVAL: SBOAL
	DATE 3/2/10

THIS DRAWING IS THE EXCLUSIVE PROPERTY OF SOR.
 NO USE WHATSOEVER OF THE INFORMATION CONTAINED
 HEREON, NOR REPRODUCTION IN WHOLE OR PART MAY BE
 MADE WITHOUT THE EXPRESS WRITTEN PERMISSION OF SOR.

TITLE: DIM DWG 1540 PNEUMATIC LEVEL SWITCH W/ MC/MD OPTIONS		
EO NUMBER: 5046	DRAWING NO.: 0091448	REV. 1
SCALE: 1.00	SHEET 2 OF 2	DWG SIZE B
DO NOT SCALE PRINT		