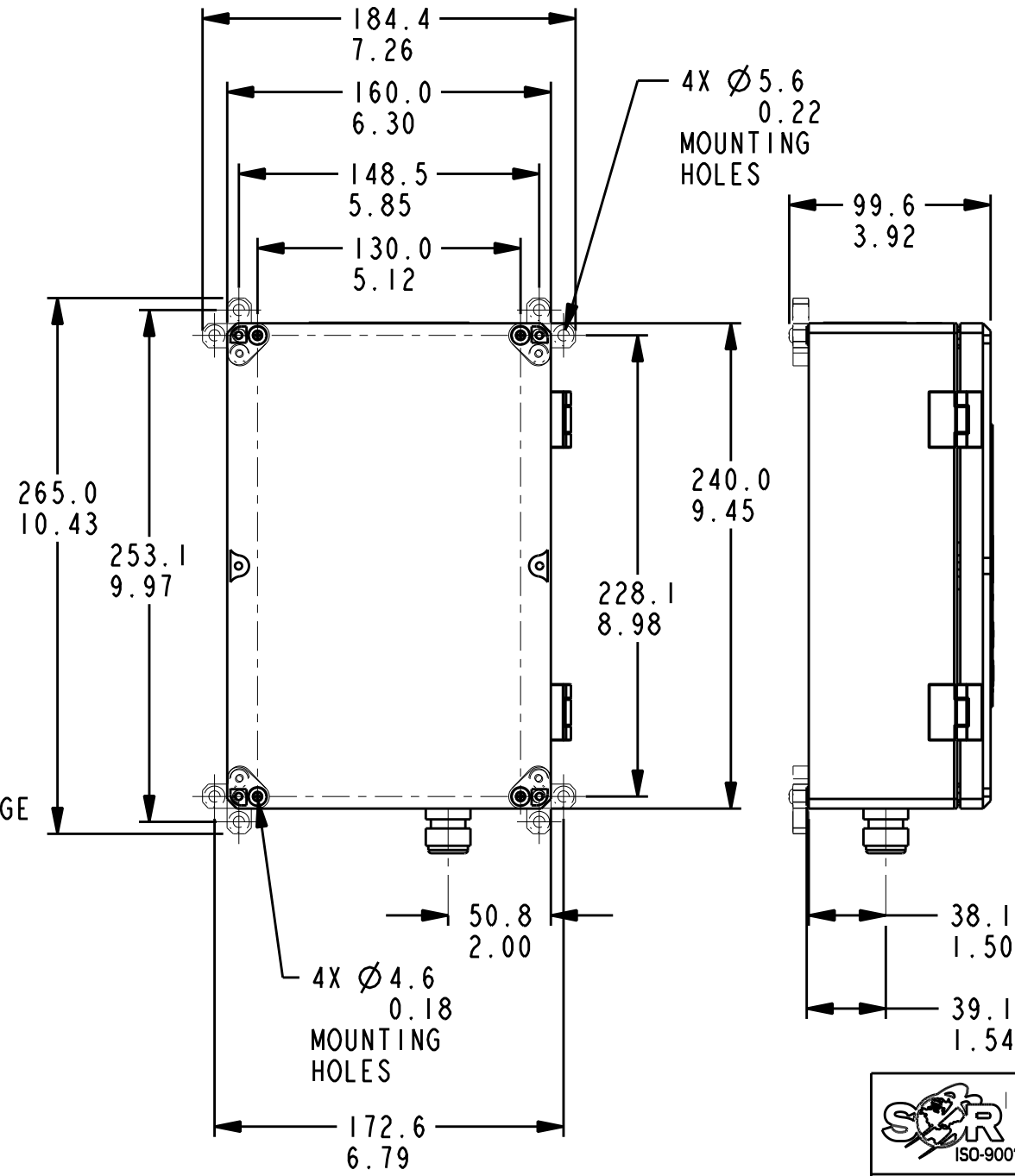
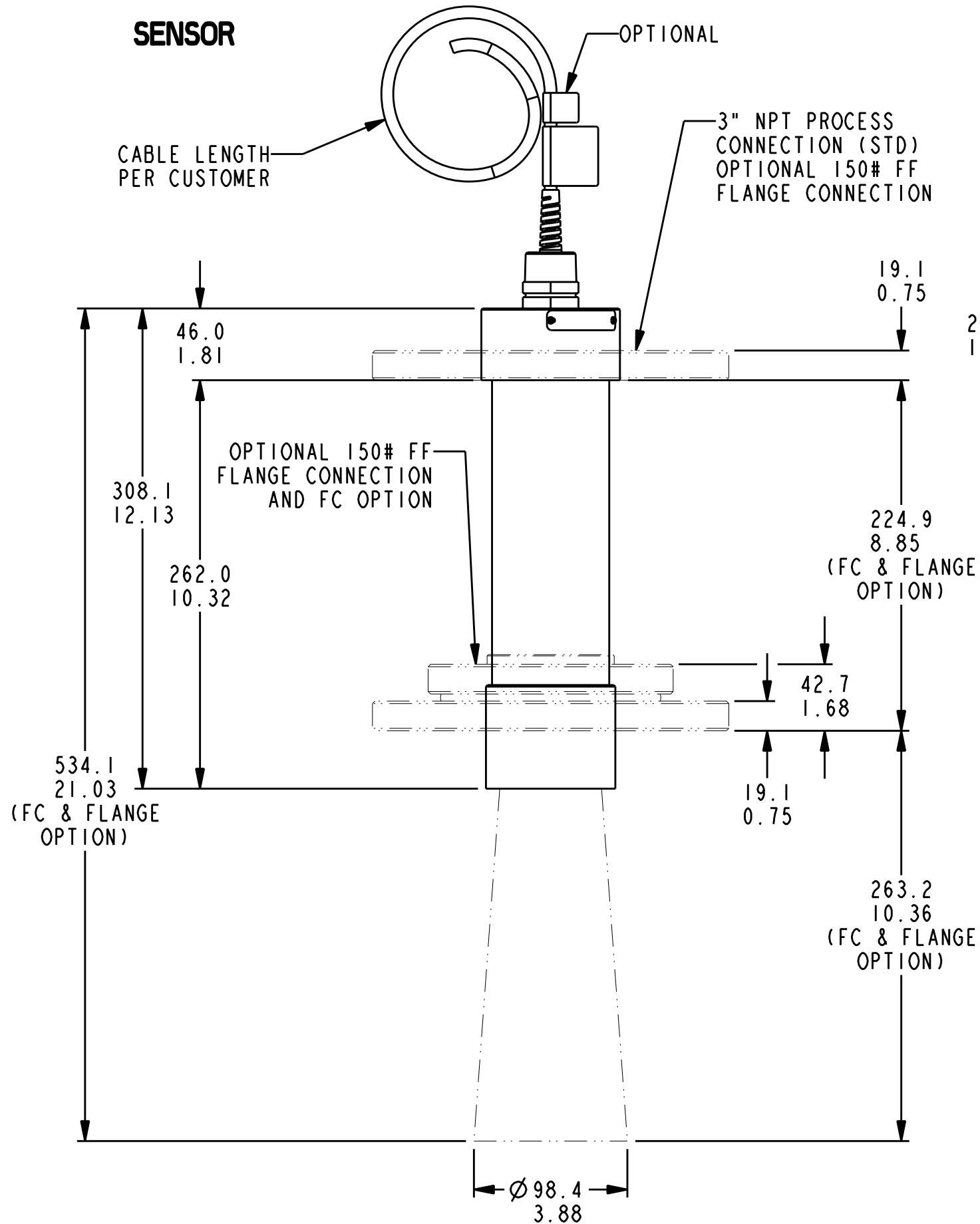
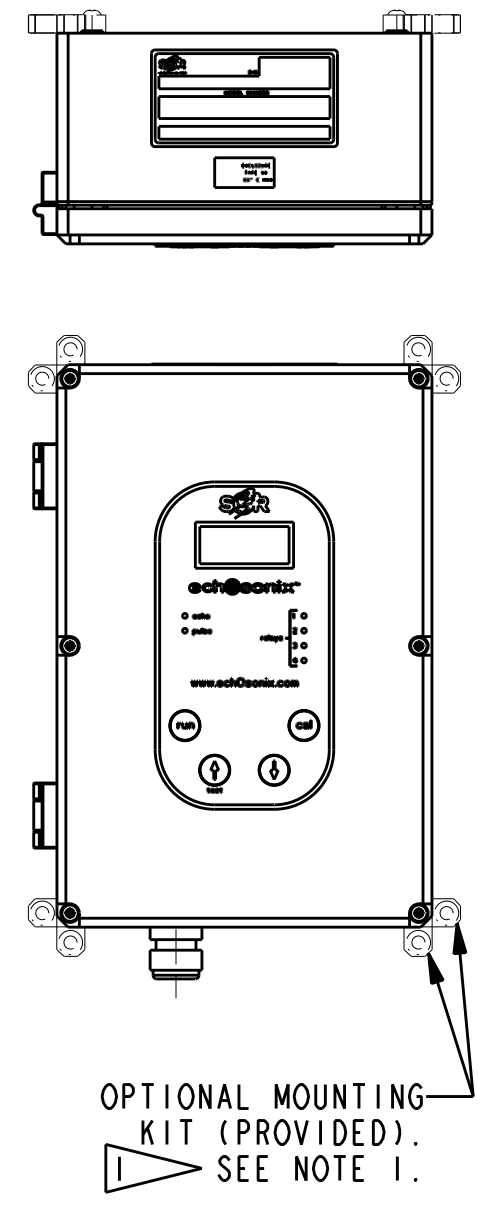


**SENSOR**




**ELECTRONICS**



**NOTES:**

- 1. KIT CAN BE MOUNTED VERTICALLY OR HORIZONTALLY. BOTH ORIENTATIONS SHOWN. ONLY ONE KIT PROVIDED PER ENCLOSURE.

 14685 W. 105TH LENEXA, KANSAS 66215 PH# 913-888-2630 WWW.SORINC.COM		
PRODUCT CERTIFICATION DRAWING ALL DIMENSIONS ARE $\pm 1/16$ IN UNLESS OTHERWISE SPECIFIED LINEAR = MM IN		DRAWN BY: <b>KSTREIB</b> CHECKED BY: <b>MSMITH</b> ENGINEER APPROVAL: <b>JMODIG</b> DATE <b>02 DEC 2008</b>
THIS DRAWING IS THE EXCLUSIVE PROPERTY OF SOR. NO USE WHATSOEVER OF THE INFORMATION CONTAINED HEREON, NOR REPRODUCTION IN WHOLE OR PART MAY BE MADE WITHOUT THE EXPRESS WRITTEN PERMISSION OF SOR.		
TITLE: <b>DIM DWG RMT 15 KHZ NON-CONTACT ULT</b>		
EO NUMBER: <b>4976</b>	DRAWING NO.: 0390647	REV. <b>4</b>
SCALE: <b>0.31</b>	SHEET 1 OF 1	
DO NOT SCALE PRINT		