



522CR Electronic Pressure Switch

Form 1179

The Series 522CR electronic pressure control is a field-mounted instrument that has two independent field adjustable Set Points with adjustable dead bands, plus process pressure indication and 4-20 mA output. The Series 522CR is well suited for applications in oil, gas, petrochem, process and power industries.

Features

- Ranges from 200 to 2000 psig
- 0.5% accuracy and repeatability
- In-service field calibration
- NEMA 4X, IP 65 housing



522CR

Product Specifications

Accuracy		Over Pressure Protection	1.5X URL
4-20 mA	+0.5% URL	Supply Voltage	120 VAC, 24 VDC or 12 VDC
Display	+0.5%	Loop Resistance	500 ohms
Linearity	+0.5% URL	Output	
Repeatability	+0.5% Set Point	Mechanical Relay	2 SPST, rated 3A 120 VAC, 3A 28 VDC (resistive)
Turndown	5:1	Analog Signal	4-20 mA
Zero Offset	+20% URL	Indication	LCD display, LED Set Point indication
Set Points		Process Connection	1/4" or 1/2" NPT(F)
Adjustable Range	0-100% URL	Electrical Connection	2 x 3/4" NPT(F)
Minimum Deadband	1% URL	Wetted Materials	316SS (others available), ceramic (Al ₂ O ₃) diaphragm, o-ring
Maximum Deadband	40% Set Point	Shipping Weight	9 lbs (4.5 kg)
Temperature Range		Warranty	1 year
Operating	Based on o-ring specification, see next page		
Ambient	-40 to 160°F (-40 to 71°C)		
Temperature Effect	+1% of URL/100°F		

Design and specifications are subject to change without notice. For latest revision, see www.sorinc.com.

522CR Electronic Pressure Switch

How to Order

Sample Model Number

522CR - TC 51 - P5 - H 2A - VT - RR

522CR electronic pressure control with 0-500 psig, 12 VDC power supply, 1/2" NPT Hastelloy B process connection, Viton O-Ring and optional SS tag wired to housing.

			3 Process Connection Material			
			316SS	C		
			316LSS	Z		
			Monel	A		
			Hastelloy B	H		
			Hastelloy C	J		
			Alloy 20	L		
			4 Process Connection Size			
			1A	1/4" NPT(F)		
			2A	1/2" NPT(F)		
			5 O-Ring Material			
			ER	EPR	Temperature Limits -40-200°F (-40-93°C)	
			AS	Aflas	32-250°F (0-121°C)	
			VT	Viton	0-250°F (-18-121°C)	
			KZ	Kalrez*	40-250°F (4-121°C)	
			VG	Viton GLT	-20-250°F (-29-121°C)	
			BN	Buna-N	-40-200°F (-40-93°C)	
			NE	Neoprene	0-200°F (-18-93°C)	
			* or equivalent			
			6 Accessories			
			BB	Cleaned for industrial oxygen service		
			PK	Pipe mounting kit		
			PP	Fiber tag with customer-specified information		
			RR	SS tag wired to control with customer-specified information		
			TT	SS nameplate affixed to housing with customer-specified information		
			VV	Fungicidal varnish		
			YY	Epoxy coating		
			1 Range			
0-200 psig	(0 to 14 bar)	21				
0-500 psig	(0 to 35 bar)	51				
0-1000 psig	(0 to 70 bar)	111				
0-2000 psig	(0 to 140 bar)	211				
			2 Power Supply			
12 VDC (accepts 9-16 VDC)	350 mA maximum current draw	P5				
24 VDC (accepts 16-36 VDC)	140 mA maximum current draw	P6				
120 VAC (accepts 90-130 VAC)	50 mA maximum current draw	P7				
			Process Connection Material			
			522CR	TC	51	P5
				H	2A	VT
						RR
			← Model Number			

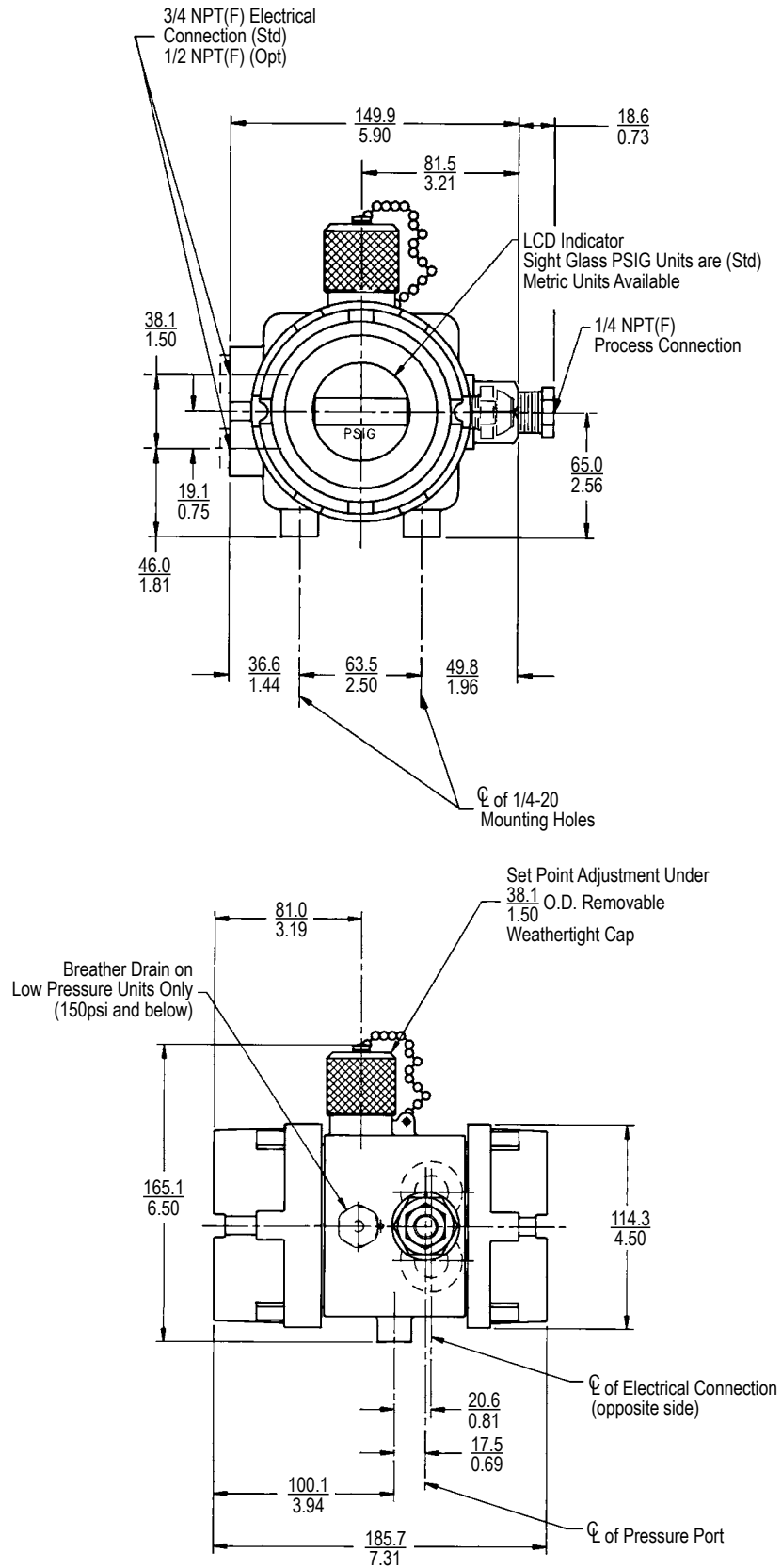
522CR Electronic Pressure Switch

Dimensions

Dimensions shown are for reference only. Contact the factory for certified dimension drawings.

Linear = mm/in.

522CR



SOR® offers a full line of commercial-grade process instruments.

echOsonix™
Level Transmitters



Level
Switches



Level

Temperature
Switches



Temperature
Pressure

Flow
Switches



Flow

Pressure
Switches



Process Instrumentation

We Deliver Quality On Time

SOR Inc.

14685 West 105th Street
Lenexa, Kansas 66215

Phone 913-888-2630
Toll Free 800-676-6794
Fax 913-888-0767

www.sorinc.com

Registered Quality System to ISO 9001

Form 1179 (04.06) ©2006 SOR Inc.