



536HS Mini-Hermet Pressure Transmitter

Form 1178

The Series 536HS Mini-Hermet pressure transmitter is a compact loop-powered transmitter. It can be locally ranged in service while maintaining its explosion-proof integrity which differentiates it from non-serviceable instruments. Its performance is comparable to full-size conventional transmitters. The Series 536HS consumes low current and is excellent for applications using solar power and batteries.

Features

- Ranges from 2000 to 15000 psig
- 0.25% accuracy
- 1.5 mA maximum current consumption
- In-service calibration
- EMI/RFI protection
- Intrinsically safe and explosion proof
- NEMA 4X, IP 66 housing



Product Specifications

Accuracy (Linearity, Hysteresis and Repeatability)	+0.25% of calibrated span	Output	1 to 5 VDC (1.5 mA maximum consumption)
Turndown	5:1	Minimum Impedance	100 kohms
Zero Offset	+10% URL	Circuit Protection	Reverse polarity and surge protected
Temperature Range		Construction	316SS housing (CF8M)
Compensated	-20 to 160°F (-29 to 71°C)	Process Connection	1/4" or 1/2" NPT(F)
Ambient	-40 to 185°F (-40 to 85°C)	Electrical Connection	
Process	-40 to 250°F (-40 to 121°C)	Size	1/2" NPT(M)
Storage	-40 to 185°F (-40 to 85°C)	Termination	24 AWG shielded cable, 18 inch length
Temperature Effect	+1% of URL/100°F @ -20 to 160°F	Wetted Materials	316L SST port, ELGILOY diaphragm (standard)
Long-Term Stability	+0.5% URL per year	Shipping Weight	1.8 lb (0.7 kg)
Over-Pressure Protection	1.5X URL for 2K, 5K 1.2X URL for 10K, 15K	Warranty	5 years
Response Time	< 25 ms		
Supply Voltage	11-30 VDC		

Design and specifications are subject to change without notice. For latest revision, see www.sorinc.com.

Agency Approvals

Approved	Safety Method	Approval	Model(s)
CSA	Explosion Proof Intrinsically Safe	Class I, Groups A, B, C & D; Class II, Groups E, F & G; Class III, Divisions 1 & 2	536HS-VNxxx-P2-xxx-xx-CS

536HS Mini-Hermet Pressure Transmitter

How to Order

Sample Model Number

536HS - VN 5K - P2 - C 1A - TL

536HS Mini-Hermet pressure transmitter with 1-5VDC output, 0-5000 psi, 1/4" NPT and optional junction box.

Process Connection Size		2	
	1/4" NPT(F)	1A	
	1/2" NPT(F) (N/A in 10K or 15K Range)	2A	

Range		1	
0-2000 psi (0-140 bar)	2K		
0-5000 psi (0-350 bar)	5K		
0-10000 psi (0-700 bar)	10K		
0-15000 psi (0-1000 bar)	15K		

3 Accessories			
BB	Cleaned for industrial oxygen service		
CS	CSA Approved		
NC	Compliance to NACE Certification MR0175/ISO 15156*		
PK	Pipe mounting kit		
PP	Fiber tag with customer-specified information		
RR	SS tag wired to control with customer-specified information		
TL	SS junction box with terminal strip		
TT	SS nameplate affixed to housing with customer-specified information		
VV	Fungicidal varnish		
PY	Powder coat epoxy coating. No coating on stainless steel parts or plated screws (500 hours-salt spray)		
YY	Epoxy coating. Exterior only. Polyamide epoxy with 316SS pigment. (200 hours-salt spray)		
	MAG DRIVER for tamper-proof zero and span adjustments P/N 9003-308		

536HS VN	5K	P2 C	1A	TL	← Model Number
----------	----	------	----	----	----------------

Test Certificates

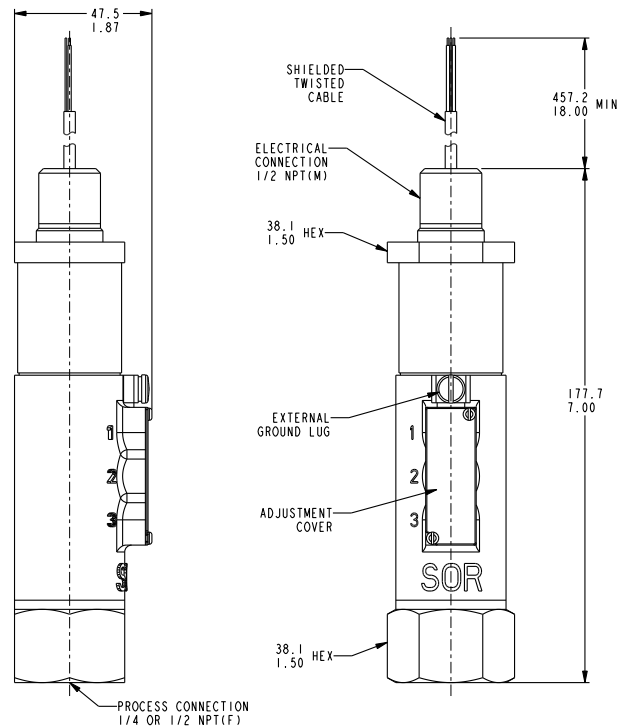
Certificates	C1	C2	C3	C4	C8	B1	B7	A1	A2	A3	A4	A5
	Series 536HS	◆					◆	◆	◆	◆	◆	◆
Calibration	◆					◆	◆	◆	◆	◆	◆	◆
Hydrostatic Pressure Test		◆				◆			◆	◆	◆	◆
Inspection Report			◆			◆	◆			◆	◆	
Compliance / Conformance				◆		◆	◆	◆	◆		◆	◆
Typical Material of Wetted Parts					◆	◆	◆	◆	◆	◆	◆	◆

536HS Mini-Hermet Pressure Transmitter

Dimensions

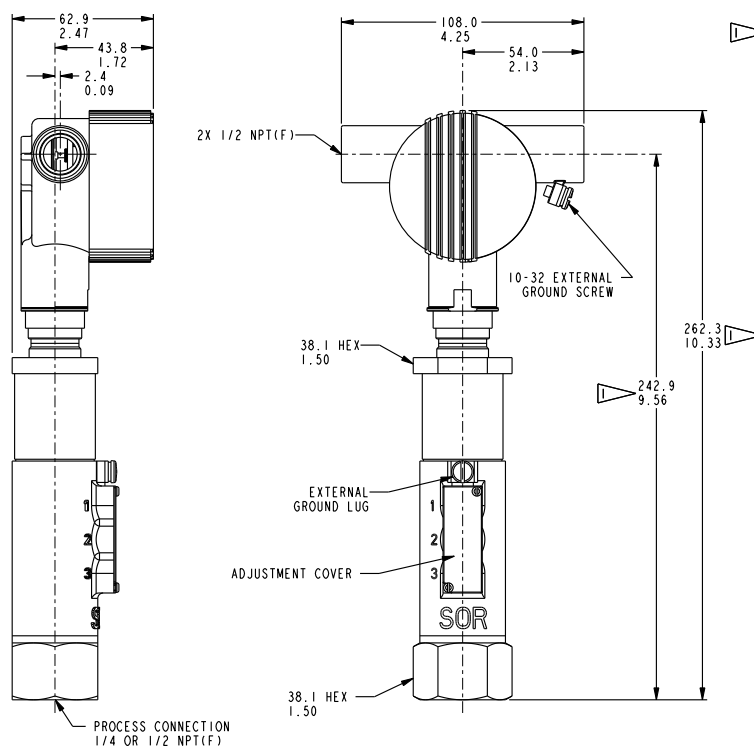
Dimensions shown are for reference only. Contact the factory for certified dimension drawings. Linear = mm/in.

536HS



Drawing # 0091119

536HS with TL Accessory



NOTES:
 1. THIS DIMENSION IS APPROXIMATE AND BASED ON A 5 THREAD ENGAGEMENT.

Drawing # 0091124

SOR® offers a full line of commercial-grade process instruments.



Process Instrumentation

We Deliver Quality On Time

SOR Inc.

14685 West 105th Street
Lenexa, Kansas 66215

Phone 913-888-2630
Toll Free 800-676-6794
Fax 913-888-0767

www.sorinc.com
www.echOsonix.com

SOR Europe, Ltd.

Star Road
Partridge Green, Sussex
RH13 8RA, United Kingdom

Phone +44-140-371-1331
Fax +44-140-371-0177
sales@soreur.co.uk

SOR - China

Room 903, No. 10 Building
Wan Da Plaza
No. 93 Jian Guo Road
Chao Yang District
Beijing, China 100022

Phone +86 (10) 5820 8767
Fax +86 (10) 5820 8770