



Electromechanical Temperature Switches

Form 220

The SOR® Electromechanical Temperature Switch

utilizes a vapor-pressure thermal system. Fluid vapor pressure changes predictably according to the influence of temperature on the sensing bulb. Process temperature changes cause proportional vapor pressure changes in the temperature sensing bulb that act on the diaphragm/piston assembly to actuate and deactivate a snap-action electrical switching element at discrete process temperatures. The instrument's behavior is determined by the vapor pressure principle.

Application Information

Basic models with direct and six-foot remote temperature bulbs can be specified from the quick selection guide on page 5.

More specific application requirements can be met by selecting optional components, such as housings and electrical switching elements, from the balance of the catalog.



Vapor Pressure Principle

- Device's behavior is predictable and in accordance with the vapor pressure principle.
- Minimal ambient temperature influence, fast response, high repeatability, narrow dead band.

Vapor Fill Fluid

- Excellent chemical and thermal stability, predictable temperature-vapor pressure curve, nonflammable, low toxicity.

Direct Immersion Temperature Sensing Bulbs

- 316SS can withstand 2300 psig (1000 psig on 105 range) without thermowell; faster response time; lower cost.

Remote Mount Sensing Bulbs

- 316SS capillary tube with 300 Series SS armor allows instrument to be panel mounted and bulb to be remotely located.
- Standard 300 Series SS armor protects capillary.

Snap-Action Electrical Switching Element

- Long life, high load capacity, high ambient temperature limit, insensitive to vibration, SPDT or DPDT switching action, optional "hermetically sealed" capsule for hazardous locations and hostile environments.

Agency Listings/Certification

- Select models with UL, CSA, ATEX, TestSafe, GOST
- Meets most code and customer requirements.

Safety Certified to IEC 61508 (SIL)

- SOR products are certified to IEC 61508 for non-redundant use in SIL1 and SIL2 Safety Instrumented Systems for most models. For more details or values applicable to a specific product, see the Safety Integrity Level Quick Guide (Form 1528).

Factory Calibration

- **FREE!** Calibrated to customer's Set Point, ready to install.

Warranty

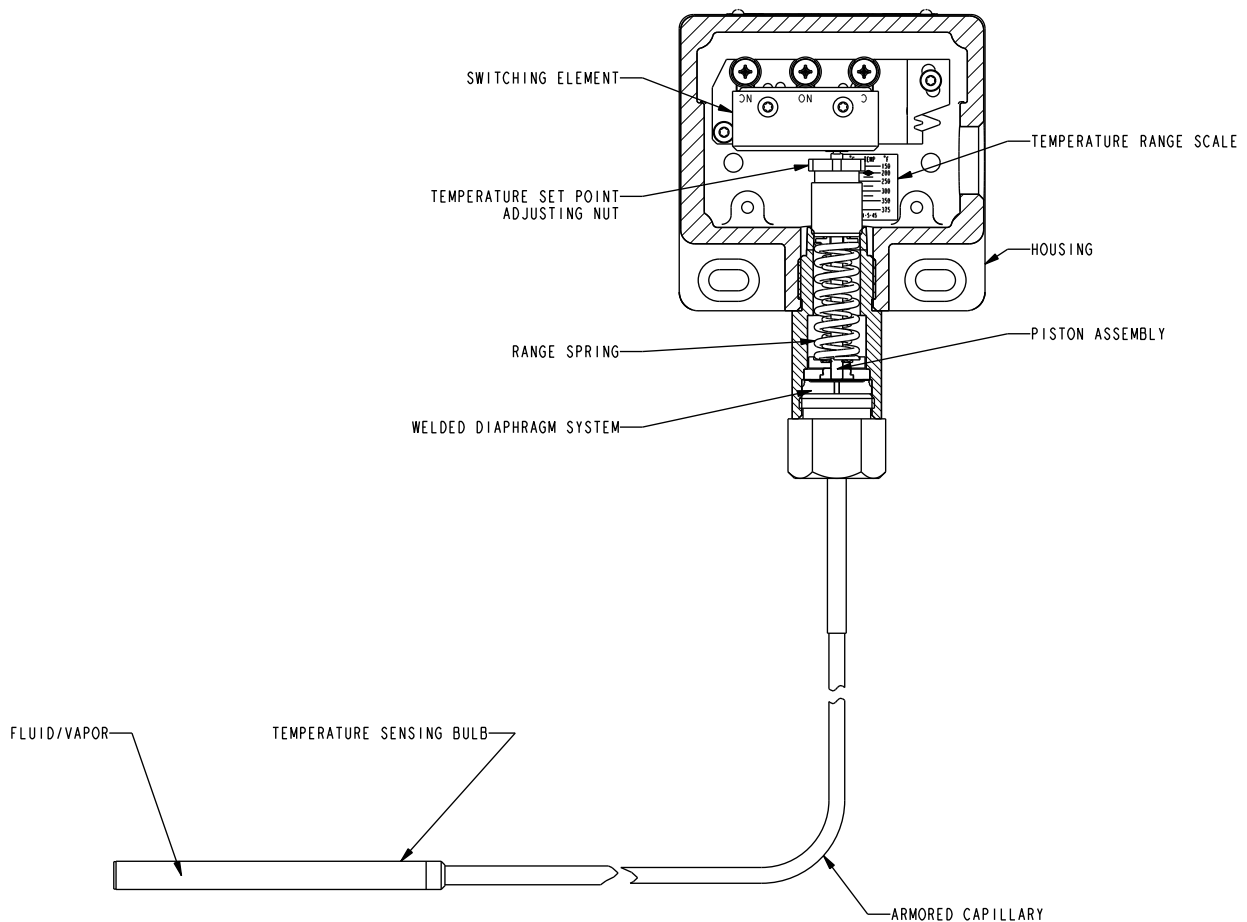
- 3 years from the date of manufacture.

How the SOR Temperature Switch Works

The SOR temperature switch consists of a pressure switch that has a sealed temperature sensing bulb attached directly to the pressure port. (An optional remote temperature sensing bulb can be connected to the pressure port with an armor-clad capillary.) The temperature sensing system is partially filled with a fluid. Process temperature changes cause proportional vapor pressure changes in the temperature sensing bulb that act on the diaphragm/piston assembly to actuate and deactuate a snap-action electrical switching element at discrete process temperatures. The instrument's behavior is determined by the vapor pressure principle. (The 105 range unit is similar, except the fill fluid is inert gas.)

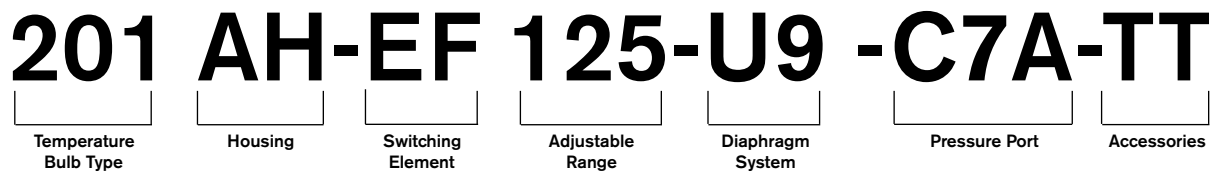
Dual (Hi-Lo)

SOR temperature switches in this catalog may be specified with two Set Points. The two Set Points may be set at either the same actuation point or split up to full scale with no interaction between Set Points. The Dual Hi-Lo is available with hermetically sealed, explosion proof, UL Listed and CSA Certified electrical switching elements or with a wide selection of UL Listed and CSA Certified snap-action switching elements for both AC and DC service. The housing selection must be V1 or V2. See page 9.



Drawing 0190316

Model Number System



Quick Selection Guide

Basic SOR temperature switches with standard parts are normally suitable for a variety of industrial applications. Refer to the Quick Selection Guide section on page 5. Corrosive service and particular customer requirements may require optional components. Refer to the How to Order section on this page or the dedicated page to locate optional components, such as: housings, switching elements, and accessories. Each position in the model number, except Accessories, must have a designator.

Applications

SOR temperature switches in this catalog are suitable for a wide variety of process and fluid power applications. Specific application requirements can normally be met by selecting optional components, such as switching elements. Certain applications may require customized specials. Consult area representative or the factory.

Weathertight, conventional explosion-proof and hermetically sealed, explosion-proof models are presented in this catalog.

How to Order

Steps 1 through 4 are required; steps 5 and 6 are optional. Orders must have complete model numbers, i.e. each component must have a designator.

- Step 1:** Determine if direct or remote (and capillary length) sensing is required. Select temperature **Sensing Bulb Designator** from specifications (page 7).
- Step 2:** Determine the adjustable range required. Select **Range Designator**, from specifications (page 8).
- Step 3:** Select **Housing** for type of service (pages 9 and 10).
- Step 4:** Select **Switching Element** for housing and electrical service (page 11).
- Step 5:** Select **Accessories** as required for service (page 13).
- Step 6:** Determine if **Thermowell** is required. Select from tables on page 14 and order as a separate item.

If Agency Listed, Certified or Approved temperature switches are required, see page 15 for components that must be specified.

Electromechanical Temperature Switches

Quick Selection Guide



Weathertight-NEMA 4, 4X, IP65
(Direct Mount Shown)



Explosion Proof-conventional
(Direct Mount Shown)



Explosion Proof-hermetically sealed
(Direct Mount Shown)

Direct Mount Temperature Switches

SPDT Form "C" Contacts

Maximum Process Pressure 2300 psi

| Adjustable Range | Overrange Temperature | Electrical Rating @250VAC | Typical Dead Band | | Model Number | Weathertight, NEMA 4, 4X, IP65 | Explosion Proof Class I, Groups C & D; Class II, Groups E, F & G; Divisions 1 & 2 | Contains Hermetically Sealed Explosion-Proof Switching Element Class I, Groups A, B, C & D; Class II, Groups E, F & G; Divisions 1 & 2 |
|-----------------------------|-----------------------|---------------------------|-------------------|-------|--------------------|--------------------------------|---|--|
| | | | °F | °C | | | | |
| 150 to 375°F 66 to 190°C | 520°F 270°C | 15 amps | 2.2°F | 1.2°C | 201NN-K115-U9-C7A | ● | | |
| | | | 5 amps | 6.6°F | 3.7°C | 201L-K115-U9-C7A | | ● |
| 40 to 225°F 5 to 107°C | 360°F 182°C | 15 amps | 1.2°F | 0.7°C | 201AH-EF115-U9-C7A | | | ● |
| | | | 5 amps | 3.6°F | 2.0°C | 201NN-K125-U9-C7A | ● | |
| -50 to 70°F -45 to 21°C | 190°F 88°C | 15 amps | 1.2°F | 0.7°C | 201L-K125-U9-C7A | | ● | |
| | | | 5 amps | 3.6°F | 2.0°C | 201AH-EF125-U9-C7A | | |
| -50 to 70°F -45 to 21°C | 190°F 88°C | 15 amps | 1.4°F | 0.8°C | 201NN-K135-U9-C7A | ● | | |
| | | | 5 amps | 4.2°F | 2.3°C | 201L-K135-U9-C7A | | ● |
| | | | | | 201AH-EF135-U9-C7A | | | ● |

Remote Mount Temperature Switches with 6' capillary (not shown)

SPDT Form "C" Contacts

Maximum Process Pressure 2300 psi

| Adjustable Range | Overrange Temperature | Electrical Rating @250VAC | Typical Dead Band | | Model Number | Weathertight, NEMA 4, 4X, IP65 | Explosion Proof Class I, Groups C & D; Class II, Groups E, F & G; Divisions 1 & 2 | Contains Hermetically Sealed Explosion-Proof Switching Element Class I, Groups A, B, C & D; Class II, Groups E, F & G; Divisions 1 & 2 |
|-----------------------------|-----------------------|---------------------------|-------------------|-------|--------------------|--------------------------------|---|--|
| | | | °F | °C | | | | |
| 150 to 375°F 66 to 190°C | 520°F 270°C | 15 amps | 2.2°F | 1.2°C | 203NN-K115-U9-C7A | ● | | |
| | | | 3.3°F | 1.8°C | 203L-K115-U9-C7A | | ● | |
| 40 to 225°F 5 to 107°C | 360°F 182°C | 15 amps | 1.2°F | 0.7°C | 203BA-KB115-U9-C7A | | | ● |
| | | | 5 amps | 1.8°F | 1.0°C | 203NN-K125-U9-C7A | ● | |
| -50 to 70°F -45 to 21°C | 190°F 88°C | 15 amps | 1.2°F | 0.7°C | 203L-K125-U9-C7A | | ● | |
| | | | 5 amps | 1.8°F | 1.0°C | 203BA-KB125-U9-C7A | | |
| -50 to 70°F -45 to 21°C | 190°F 88°C | 15 amps | 1.4°F | 0.8°C | 203NN-K135-U9-C7A | ● | | |
| | | | 5 amps | 2.1°F | 1.2°C | 203L-K135-U9-C7A | | ● |
| | | | | | 203BA-KB135-U9-C7A | | | ● |

Design and specifications are subject to change without notice. For latest revision, see www.sorinc.com.

SOR recognizes that there is not an industry convention with respect to terminology and definitions pertinent to temperature switches. The following list applies to SOR Temperature Switches.

Temperature Switch

A bi-stable electromechanical device that actuates/deactuates one or more electrical switching element(s) at a predetermined discrete temperature (Set Point) upon rising or falling temperature.

Adjustable Range

The span of temperature between upper and lower limits within which the temperature switch can be adjusted to actuate/deactuate. It is expressed for increasing temperature.

Set Point

That discrete temperature at which the temperature switch is adjusted to actuate/deactuate on rising or falling temperature. It must fall within the adjustable range and be called out as increasing or decreasing temperature.

Dead Band

The difference in temperature between the increasing set point and decreasing set point. It is expressed as "typical," which is an average with the increasing set point at mid-adjustable range with the standard K switch element. It is normally fixed (not adjustable).

Hermetically Sealed

A welded steel capsule with glass-to-metal, factory-sealed electrical leads that isolates the electrical switching element(s) from the environment.

Overrange

Overrange temperature is that temperature to which the sensing bulb can be continuously exposed without causing permanent change of set point or distortion sufficient to cause leakage or significant degradation of the fill fluid. Temperatures greater than overrange could cause permanent damage and render the device inoperative.

Maximum Process Pressure

The maximum process pressure to which the temperature sensing bulb should be exposed without being protected by a thermowell.

Repeatability

The ability of a temperature switch to successively operate at a set point that is approached from a starting point in the same direction and returns to the starting point over consecutive cycles to establish a temperature profile. The closeness of the measured set point values is normally expressed as percentage of full scale (maximum adjustable range temperature.)

Repeatability is 1% of full scale for ranges 135, 125 and 115. Range 105 has a repeatability of 2% of full scale.

SPDT Switching Element

Single-Pole, Double-Throw (SPDT) has three connections: C-Common, NO-Normally Open and NC-Normally Closed, which allows the switch to be electrically connected to the circuit in either NO or NC state.

DPDT Switching Element

DPDT is two synchronized SPDT switching elements which actuate together at increasing set point and deactuate together at decreasing set point. Discrete SPDT switching elements allow two independent circuits to be switched; i.e., one AC and one DC.

The synchronization linkage is factory set, and is not field adjustable. Synchronization is verified by connecting test lamps to the switching elements and observing them go "On" simultaneously at actuation and "Off" simultaneously at deactuation.

Electromechanical Temperature Switches

Step 1: Sensing Bulb Designator

201AH-EF125-U9-C7A-TT

Temperature Bulb Type

| Designator | Mounting Configuration | Capillary Length | | Process Connection |
|------------|------------------------|------------------|--------|--------------------|
| | | feet | meters | |
| 201 | Direct | - | - | 1/2" NPT(M) |
| 203 | Remote | 6.0 | 1.8 | |
| 205 | | 10.0 | 3.0 | |
| 207 | | 15.0 | 4.5 | |
| 209 | | 20.0 | 6.0 | |

Notes

1. For applications where a special length capillary system is required, contact the factory or your local representative for specifications and delivery.
2. Special bulb dimensions are available. Contact the factory for details.

Adjustable Ranges

| Designator | Adjustable Range Increasing Temperature | | Typical Dead Band | | Overrange Temperature | | Maximum Process Pressure | |
|------------|--|------------|-------------------|-----|--------------------------|------|-----------------------------|-----|
| | °F | °C | °F | °C | °F | °C | psi | bar |
| 135 | -50 to 70 | -45 to 21 | 1.4 | 0.8 | 190 | 88 | 2300 ¹ | 158 |
| 125 | 40 to 225 | 5 to 107 | 1.2 | 0.7 | 360* | 182* | 2300 ¹ | 158 |
| 115 | 150 to 375 | 66 to 190 | 2.2 | 1.2 | 520 | 270 | 2300 ¹ | 158 |
| 105** | 300 to 1000 | 150 to 540 | 15 | 8.3 | 1100 | 590 | 1000 | 70 |

* Overage temperature decreases to 250°F (120°C) when NB option is specified. See accessories on page 13.

** Remote mount only.

¹ Overage is reduced to 1150 psi when the CV accessory is selected.

Dead Band Considerations

1. Dead band values are expressed as typical expected at mid-range using the standard K switching element. When optional switching elements are specified, corresponding dead band multipliers must be applied to the typical dead band values shown in the table whenever optional switching elements other than K, KA or W are used.
2. Dead bands are fixed, except when T or H switching elements are used.
3. Dead band can be widened by selecting an optional switching element with a multiplier greater than 1.0.
Example: Model 201NN-G125-U9-C7A
Typical standard dead band: 1.2°F
Switching Element G multiplier: 3
Corrected typical dead band: 1.2°(3) = 3.6°F




| Switching Element Designators | Multiplier |
|-------------------------------|------------|
| K, KA, W | 1.0 |
| D, E, J, JR, KB, M, Y | 1.5 |
| A, AD, B, EF, G | 3.0 |
| L, JF, YY | 3.5 |
| AF, EE | 4.0 |
| BD, EB, JJ, S | 5.0 |
| EG | 5.5 |
| AA, BB, GG, JB, JG, KK | 6.0 |
| LL | 6.5 |
| AG | 8.5 |
| T | 2.5 to 6.5 |
| H | 1.0 to 3.0 |

Electromechanical Temperature Switches










Step 3: Housing

201AH-EF125-U9-C7A-TT



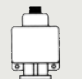



General Purpose NEMA 1

| | | |
|---|---|--|
|  <p>PP</p> <p>Electrical: 3/4" NPT(F) - Right Material: Aluminum See Agency Listings page 15 See Switching Element Groups 1, 2, 3 & 4 on page 11.</p> |  <p>P3</p> <p>Electrical: 3/4" NPT(F) - Left, Right Material: Aluminum See Switching Element Groups 1, 2, 3 & 4 on page 11.</p> |  <p>H3</p> <p>Electrical: Exposed contacts Material: Aluminum Open bracket with exposed switching element - does not meet NEMA 1 See Switching Element Groups 1 & 3 on page 11.</p> |
|---|---|--|

Weathertight NEMA 4, 4X, IP65

| | | |
|---|--|---|
|  <p>NN</p> <p>Electrical: 3/4" NPT(F) - Right Material: Aluminum See Agency Listings page 15 See Switching Element Groups 1, 2, 3 & 4 on page 11.</p> |  <p>N3</p> <p>Electrical: 3/4" NPT(F) - Left, Right Material: Aluminum See Agency Listings page 15 See Switching Element Groups 1, 2, 3 & 4 on page 11.</p> |  <p>N4</p> <p>Electrical: 3/4" NPT(F) - Right Material: Aluminum Cover: Heavy Duty with Viton gasket See Switching Element Groups 1, 2, 3 & 4 on page 11.</p> |
|  <p>N6</p> <p>Electrical: 3/4" NPT(F) - Right Material: Carbon Steel See Switching Element Groups 1 & 3 on page 11.</p> |  <p>RN RM</p> <p>Electrical- RN: 3/4" NPT(F) - Right Electrical- RM: M20 x 1.5- Right Standard terminal block Material: Aluminum See Agency Listings page 15 See Switching Element Groups 1, 2, 3, 4 & 5 on page 11.</p> |  <p>RT RS</p> <p>Electrical- RT: 3/4" NPT(F) - Right Electrical- RS: M20 x 1.5 - Right Standard terminal block Material: 316SS See Agency Listings page 15 See Switching Element Groups 1, 2, 3, 4 & 5 on page 11.</p> |
|  <p>*V1</p> <p>Electrical: 3/4" NPT(F) - Top Standard terminal block Material: Aluminum See Agency Listings page 15 See Switching Element Groups 1, 3 & 4 on page 11.</p> |  <p>AC</p> <p>Electrical: 90° conduit block 1/2" NPT(M) 18" free wire leads Material: Series 2000 Aluminum Switching Element AD only.</p> |  <p>RB</p> <p>Electrical: 3/4" NPT(F) - Right Manual reset only Standard terminal block Material: Aluminum See Agency Listings page 15 See Switching Element Group 7 on page 11.</p> |

Hazardous Locations: Hermetically Sealed Switching Element

| | | |
|--|---|---|
|  <p>AG</p> <p>Contains UL Listed and CSA Certified hermetically sealed switching element. Electrical: 1/2" NPT(M) - Top Material: Copper-free** aluminum See Switching Element Group 5 on page 11.</p> |  <p>BG</p> <p>ATEX Certified (EEx d IIC T6 & T5) Electrical: 1/2" NPT(M) - Top Material: Copper-free** aluminum See Agency Listings page 15 See Switching Element Group 5 on page 11.</p> |  <p>*V2</p> <p>Contains UL Listed and CSA Certified hermetically sealed switching elements. Electrical: 3/4" NPT(F) - Top Material: Aluminum See Switching Element Group 5 on page 11.</p> |
|  <p>AH</p> <p>Contains UL Listed and CSA Certified hermetically sealed switching element. Electrical: 1/2" NPT(M) - Top Material: 316SS See Switching Element Group 5 on page 11.</p> |  <p>BH</p> <p>ATEX Certified (EEx d IIC T6 & T5) Electrical: 1/2" NPT(M) - Top Material: 316SS See Agency Listings page 15 See Switching Element Group 5 on page 11.</p> |  <p>*BA</p> <p>Contains UL Listed and CSA Certified hermetically sealed switching elements. Electrical: 3/4" NPT(F) - Top Material: Copper-free** aluminum Weathertight: NEMA 4/4X See Switching Element Group 6 on page 11.</p> |

* Not recommended for direct mount where vibration is expected. Housing should be securely mounted to a flat surface (bulkhead or panel rack) or pipe stanchion.


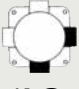


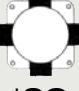

** Consult the factory.

Electromechanical Temperature Switches

Step 3: Housing

201AH-EF125-U9-C7A-TT

Hazardous Locations: Conventional Explosion Proof

| | | |
|--|--|---|
|  <p>*L UL Listed Class I, Groups C & D; Class II, Groups E, F & G; Divisions 1 & 2 as an outlet box only Electrical: 3/4" NPT(F) - Right Material: Cast Iron Weathertight with Option CG See Switching Element Groups 1 & 3 below.</p> |  <p>*LC UL Listed Class I, Groups C & D; Class II, Groups E, F & G; Divisions 1 & 2 as an outlet box only Electrical: 3/4" NPT(F) - Right Material: Copper-free**aluminum Weathertight See Switching Element Groups 1, 2, 3 & 4 below.</p> |  <p>Separate electrical and Set Point adjustment compartments Weathertight Standard terminal block UL Listed with WV option ATEX with CL option CSA Certified with CS option All Listings with ML option. See page 15.</p> <p>*B3 Electrical: 3/4" NPT(F) - Left, Right Material: Aluminum</p> <p>*B4 Electrical: M20 x 1.5 - Left, Right Material: Aluminum</p> <p>*B5 Electrical: M20 x 1.5 - Left, Right Material: Cast Iron</p> <p>*B6 Electrical: 3/4" NPT(F) - Left, Right Material: Cast Iron</p> <p>Switching Element Groups 1, 2, 3, 4 & 5 below.</p> |
|  <p>*S UL Listed Class I, Groups C & D; Class II, Groups E, F, & G; Divisions 1 & 2 as an outlet box only Electrical: 3/4" NPT(F) - Left, Right, Top Material: Cast Iron Weathertight with Option CG See Switching Element Groups 1, 3, & 7 below.</p> |  <p>*SC UL Listed Class I, Groups C & D; Class II, Groups E, F & G; Divisions 1 & 2 as an outlet box only Electrical: 3/4" NPT(F) - Left, Right, Top Material: Copper-free**aluminum Weathertight See Switching Element Groups 1, 2, 3, 4 & 7 below.</p> | |
|  <p>*TA Class 1, Groups A, B, C, D; Class II, Groups E, F, & G; Divisions 1 & 2 as an outlet box only Electrical 3/4" NPT(F) - Left, Right, Top Material (Housing): Aluminum Material (Cover): Aluminum Line Mounted. Weathertight with Option CG. See Switching Element Groups 1 & 3 below.</p> | | |

* Not recommended for direct mount where vibration is expected. Housing should be securely mounted to a flat surface (bulkhead or panel rack) or pipe stanchion.

** Consult the factory.

Switching Element Group / Housing Compatibility

| Group 1 | Group 2 | Group 3 | Group 4 | Group 5 | Group 6 | Group 7 |
|---|-------------------|---------|---------|---------------------------|-------------------|---------|
| A, AA, B, BB, BD*, C*, E, EE, G, J, JJ, K, KA, L, S, W, Y | GG, KK, LL, YY | T | H | AF, AG, EF, EG, JF, JG | EB, JB, JR, KB | D, M |

*BD only available with RN & RT housings

*C micro switch is not available in L, S and TA housings

Electromechanical Temperature Switches

Step 4: Switching Element

201AH-EF125-U9-C7A-TT

Cross reference compatibility chart on page 10 to ensure that switching element will fit in housing.

| Switching Element Service | Electrical Contact Type | Electrical Connection Type | AC Rating | | DC Rating Resistive | | | | Dead Band Multiplier | | Designator | |
|---|---|--|-----------|------|---------------------|------|-------|-------|----------------------|------|------------|------|
| | | | Volts | Amps | Volts | Amps | Volts | Amps | SPDT | DPDT | SPDT | DPDT |
| Normal Service AC | Single Switching Element SPDT - (1) SPDT Double Switching Element DPDT - (2) SPDT Synchronized actuation/deactuation at increasing/decreasing Set Points | K, KA, G, L, C, N, S, Y, W Switching Elements - Screw Terminals. All other Switching Elements - 18" 18 AWG Color-Coded Wire Leads except when terminal blocks are specified. T & H Switching Elements - Consult the factory. | 250 | 15 | 125 | 0.4* | 30 | 5.0* | 1.0 | 6.0 | K | KK |
| Low Power Gold Contacts | | | 125 | 1 | - | - | 28 | 1.0* | 1.0 | - | KA | N/A |
| Wide Dead Band AC | | | 125 | 1 | - | - | 30 | 1.0 | 1.5 | 5.0 | J | JJ |
| AC or DC | | | 250 | 15 | 125 | 0.5 | - | - | 3.0 | 6.0 | G | GG |
| Wide Dead Band DC | | | 250 | 11 | 125 | 0.5* | 30 | 5.0 | 3.0 | 6.0 | A | AA |
| Narrow Dead Band DC | | | 250 | 15 | 125 | 0.5 | 30 | 10.0* | 3.5 | 6.5 | L | LL |
| Hi-Ambient Temperature Rating - 400°F | | | 250 | 5 | 125 | 0.5* | 30 | 5.0* | 1.5 | 4.0 | E | EE |
| Potted Wire Leads 1/2" NPT(M) Condition Connection | | | 250 | 5 | 125 | 0.3 | - | - | 3.0 | 6.0 | B | BB |
| Wide Adjustable Dead Band | | | 250 | 5 | 125 | 0.5* | - | - | 1.5 | 3.5 | Y | YY |
| Narrow Adjustable Dead Band | | | 250 | 5 | 125 | 0.3 | - | - | 1.0 | - | W | N/A |
| Manual Reset - Decreasing Temperature (Automatic Actuation-Increasing Temperature) | | | 250 | 11 | 125 | 0.5* | 30 | 5.0 | 3.0 | - | AD | N/A |
| Manual Reset - Increasing Temperature (Automatic Actuation-Decreasing Temperature) | | | 250 | 15 | 125 | 0.4* | - | - | 2.5 to 6.5 | - | T | N/A |
| Corrosion Resistant Explosion-Proof Hermetically Sealed Switching Element | | | 250 | 15 | - | - | - | - | 1 to 3 | - | H | N/A |
| Corrosion Resistant, Explosion-Proof, Lower-Power Service Hermetically Sealed Gold Contacts | | | 250 | 15 | 125 | 0.5 | - | - | 1.5 | - | D | N/A |
| Explosion-Proof EEx d IIC T6 | | | 250 | 15 | 125 | 0.5* | 30 | 5.0* | 1.5 | - | M | N/A |
| | | | 250 | 15 | 125 | 0.4* | 30 | 5.0* | 1.5 | - | KB | N/A |
| | | | 250 | 5 | 125 | 0.5* | 30 | 5.0* | - | 5.0 | N/A | EB |
| | | | 250 | 11 | 125 | 0.5* | 30 | 5.0 | 4.0 | 8.5 | AF | AG |
| | | | 250 | 5 | 125 | 0.5* | 30 | 5.0 | 3.0 | 5.5 | EF | EG |
| | | | 125 | 1 | - | - | 28 | 1.0* | 1.5 | - | JR | N/A |
| | 125 | 1 | - | - | 30 | 1.0 | - | 6.0 | N/A | JB | | |
| | 125 | 1 | - | - | 30 | 1.0 | 3.5 | 6.0 | JF | JG | | |
| | 250 | 7 | 250 | 0.25 | 30 | 7.0 | 5.0 | - | BD | N/A | | |

Notes

- Double switching elements have wire leads except when supplied in housings RN, RT, RB, B3, B4, B5, B6 and V1. Terminal blocks are standard in these housings.
- Dead band multipliers must be applied to the typical dead band figures given in the specification tables on page 8.
- Switching element ambient temperature limits:
 - 65 to 400°F (-54 to 200°C) B, Y, W
 - 65 to 250°F (-54 to 120°C) A, E & J
 - 40 to 167°F (-40 to 75°C) AF, AG, EB, EF, EG, JB, JF, JG, JR, KB
 - 13 to 158°F (-25 to 70°C) BD
 - 65 to 180°F (-54 to 80°C) All others
- The hermetically sealed switching element capsule is UL Listed, CSA Certified and TestSafe Approved as an explosion proof snap switch according to the table with conditions and exceptions specified in Note 3.
- Switching Elements W & Y have Elgiloy springs.
- Certain switching elements can handle greater voltage and/or amperage. Consult the factory should your requirements exceed catalog values. All switching elements above except BD are UL Listed and CSA Certified. The DC current ratings marked with an asterisk (*) are not UL Listed but have been verified by testing and/or experience.
- Cross reference compatibility chart at the bottom of page 10 to ensure that switching element will fit in housing.

| Agency | Hazardous Location Conditions | Designator |
|-------------------------------|--|--|
| UL Listed CSA Certified | Class I, Groups A, B C & D; Class II, Groups E, F & G; Divisions 1 & 2 | AF, EF, AG, EG, KB, EB, JB, JF, JG, JR |
| TestSafe Approved | Ex s Zone 1 IIC T4 IP65 Ex tD A21 T105°C IP65 | AF, EF, AG, EG, KB, EB |

Electromechanical Temperature Switches

Step 5: Accessories

201AH-EF125-U9-C7A-TT

| Accessory/Option & Description | | Designator |
|---|---|------------|
| Neoprene cover gasket (o-ring) to make L, S and TA explosion-proof housings weathertight. | | CG |
| ATEX approved temperature switch. See Agency Listings on page 15 for details. | | CL |
| CSA Certified temperature switch. Available with PP, NN, RB, RN, RT, B3, B6 & V1. Housing has earth (ground) lug. See Agency Listings on page 15 for details. | | CS |
| Canadian Registration Number (CRN) - Process ratings may be affected. Consult the factory for details. | | CV |
| Cemented cover gasket on weathertight housings. | | GC |
| Sealed electrical lead adapter. Provides protection to housing interior, switching element and dry side of pressure sensing assembly from condensate in electrical conduit and corrosive atmospheres. (Protrudes approximate 2" from housing.) | | GG |
| Universal terminal box. Stainless steel. 1/2" NPT(F). ATEX Certified EEx d IIC T4, T5 & T6. | | HB |
| Universal terminal box. Stainless steel. M20 x 1.5(F). ATEX Certified EEx d IIC T4, T5 & T6. | | HBME |
| Universal terminal box. Stainless steel. 1/2" NPT(F). FM Approved and CSA Certified Explosion-proof Class I, Groups A, B, C, & D; Class II, Groups E, F, & G, Class III; Divisions 1 & 2 (NEMA 4X IP65) | | HT |
| Breather Drain | Crouse Hinds ECD-15 for Hazardous Locations Class I, Groups C & D; Class II, Groups E, F & G; on S or SC housings only. | KK |
| | Sintered metal plug in weathertight housing. | |
| Terminal block. 6-place compression type standard in B and R series housings. Optional in LC and SC housings. Not available with all housings. Consult the factory. | | LL |
| Multi-Listed temperature switch. ATEX, CSA & UL. Available with B3 & B6 housings. See Agency Listings on page 15 for details. | | ML |
| Special construction to minimize the effect of across ambient temperature changes. Available on Ranges 135 and 125 only. Reduces overranges to 250°F (120°C) on Range 125. | | NB |
| Compliance to NACE Certification MR-01 1-75. | | NC |
| Pipe (stanchion) mounting kit for (1-1/2 to 2" pipe). Order as a separate line item for UL Listed and CSA Certified temperature switches. | | PK |
| Tag, fiber. Attached with plastic wire to housing. Stamped with customer-specified tagging information. | | PP |
| Powder coat epoxy coating. No coating on stainless steel parts or plated screws. (500 hours-salt spray) | | PY |
| Tag, stainless steel. Attached with stainless steel wire to housing. Stamped with customer-specified tagging information. (2 lines, 18 characters and spaces per line.) | | RR |
| Explosion-proof and weathertight electrical junction box with screw terminals. Aluminum 3/4" NPT(F) top or right conduit connections as required. UL Listed and CSA Certified Class I, Groups A, B, C & D; Class II, Groups E, F & G; Divisions 1 & 2, (AG, AH, BA, L, LC, S, SC & TA housings). Includes cover o-ring for weathertight applications. | | TB |
| Factory set and potted to prevent future adjustment. This option results in permanent Set point. Available only on housing AC, AG, AH, BG and BH. | | TP |
| Oversize stainless steel nameplate or separate stainless steel tag. Permanently attached to housing. Stamped with customer-specified tagging information. | | TT |
| Fungicidal varnish. Covers exterior and interior except working parts. | | VV |
| UL Listed temperature switch available with B3 or B6 housing. See Agency Listings on page 15 for details. | | WV |
| "X" is used as a suffix to the model number for special requirements. Each "X" must be completely identified in the text of the order or inquiry. When more than one "X" is required, use "X" followed by the number of such items. For example, "X3" means three separate otherwise unidentifiable requirements. | | X |
| Epoxy coating. Exterior only. Polyamide epoxy with 316SS pigment. (200 hours-salt spray) | | YY |
| Chained cover with captive screws to conform to former JIC specification. | | ZZ |

Electromechanical Temperature Switches

Step 5: Accessories

Test Certificates

| Certificates | C1 | C3 | C4 | C5 | C6 | C8 | B5 | B6 | B7 | A1 |
|----------------------------------|----|----|----|----|----|----|----|----|----|----|
| Calibration | ◆ | | | | | | ◆ | ◆ | ◆ | ◆ |
| Inspection Report | | ◆ | | | | | ◆ | ◆ | ◆ | |
| Compliance / Conformance | | | ◆ | | | | | | ◆ | ◆ |
| Dielectric Test | | | | ◆ | | | ◆ | | | |
| Insulation Resistance | | | | | ◆ | | ◆ | ◆ | | |
| Typical Material of Wetted Parts | | | | | | ◆ | | | | ◆ |

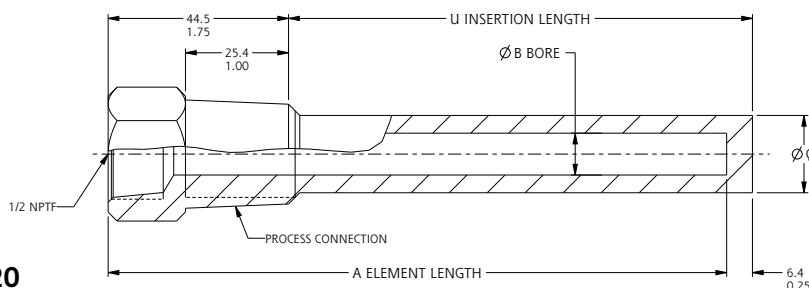
Step 6: Thermowell

1. Determine insertion length from specification table.
2. Specify thermowell for either direct or remote mounted temperature switches from specifications tables.
3. Specify process connection threading from specification table below.
4. The thermowell must be ordered as a separate item. Thermowells are 316SS (347SS on 275TW-NF100). Consult the SOR representative in your area or the factory for special material.
5. Special sensing bulb diameter and lengths are available. Consult the SOR representative in your area or the factory to discuss your requirements.

Specifications and Dimensions

| Thermowell Model Number | Available Sensing Bulb(s) | | | | | Mounting | U Insertion Length | | A Element Length | | B Bore Diameter | | Q Insertion Diameter | | Process Connection in NPT(M) | Maximum Process Pressure |
|-------------------------|---------------------------|-----|-----|-----|-----|----------|--------------------|-----|------------------|-----|-----------------|------|----------------------|------|------------------------------|--------------------------|
| | 201 | 203 | 205 | 207 | 209 | | mm | in. | mm | in. | mm | in. | mm | in. | | |
| 245 TW-DM 075 | ◆ | | | | | Direct | 114.3 | 4.5 | 152.6 | 6 | 10.4 | 0.41 | 19.1 | 0.75 | 3/4 | 6200 psi @ 500°F |
| 245 TW-DM 100 | ◆ | | | | | | 1 | | | | | | | | | |
| 245 TW-RM 075 | | ◆ | ◆ | | | Remote | 114.3 | 4.5 | 152.6 | 6 | 10.4 | 0.41 | 19.1 | 0.75 | 3/4 | |
| 245 TW-RM 100 | | ◆ | ◆ | | | | 1 | | | | | | | | | |
| 275 TW-RM 075 | | ◆ | ◆ | ◆ | ◆ | Remote | 190.5 | 7.5 | 228.6 | 9 | 9.9 | 0.39 | 19.1 | 0.75 | 3/4 | |
| 275 TW-RM 100 | | ◆ | ◆ | ◆ | ◆ | | 1 | | | | | | | | | |
| *275 TW-NF 100 | | ◆ | ◆ | ◆ | ◆ | Remote | 190.5 | 7.5 | 228.6 | 9 | 16.8 | 0.66 | 26.9 | 1.06 | 1 | 4700 psi @ 1000°F |

*Model 275TW-NF100 must be used with Range 105.



Drawing 0190020

Electromechanical Temperature Switches

Agency Listings

CSA For Hazardous Locations Class 1, Groups B, C & D; Class II, Groups E, F & G

| Bulb | Housing | Switching Element | Range | Diaphragm | Pressure Port Material & Connection Size | Accessories |
|------|---------|--|-------|-----------|--|---|
| ALL | B3, B6 | A, AA, AF, AG, B, BB, C, E, EE, EF, EG, G, GG, H, J, JF, JG, JJ, K, KA, KK, L, LL, P, S, T, W, Y, YY | ALL | ALL | ALL | CS or ML Required. All except CG, GC, GG, HB, HT, KK, LL, ME, TB, TP, ZZ |

General Purpose and Weathertight (CSA Type 4)

| | | | | | | |
|-----|-------------------------|--|-----|----|------------------------------------|--------------------------------|
| ALL | FP (General Purpose) | A, AA, B, BB, C, E, EE, G, GG, H, J, JJ, JL, K, KK, KA, L, LL, S, T, W, Y, YY | ALL | U9 | C7A Standard Others as Required | CS Required. All except LL, GC |
| | NN (Type 4) | | | | | |
| | RN (Type 4) RT (Type 4) | A, AA, AF, AGT, B, BB, C, E, EE, EF, EG, G, GG, GA, H, J, FJ, JG, JJ, JL, K, KK, KA, L, LL, S, T, W, Y, YY | | | | |
| | RB (type 4) RH (Type 4) | D, DA, M (Manual reset only) | | | | |
| | V1 (Type 4) | A, AA, B, BB, C, E, EE, G, GA, H, J, JJ, K, KA, L, LA, S, SA, T, W, Y | | | | |

ATEX EEx d IIC T6 (-40°C to 65°C) or T5 (-40°C to 80°C)

| Bulb | Housing | Switching Element | Range | Diaphragm | Pressure Port Material & Connection Size | Accessories |
|------|----------------|---|-------|-----------|--|---|
| ALL | B3, B4, B5, B6 | A, AA, AF, AG, B, BB, C, E, EE, EF, EG, G, GG, H, J, JF, JG, JJ, JL, K, KA, KK, L, LL, P, N, S, T, W, Y, YY | ALL | ALL | ALL | CL (for all Hsgs) or ML (for B3/B6 Hsgs) Required. All except CG, GC, GG, HB, HT, KK, LL, ME, TB, TP, ZZ |
| ALL | BG, BH | AF, AG, EF, EG, JF, JG | ALL | ALL | ALL | BB, PP, RR, TT, TP, VV, YY, HB, HBME |

Ex ia IIC T6...T4 Gb

| | | | | | | |
|-----|----------------|---------------|-----|-----|-----|----|
| ALL | RN, RM, RT, RS | J, JJ, JF, JG | ALL | ALL | ALL | CL |
|-----|----------------|---------------|-----|-----|-----|----|

UL For Hazardous Locations Class I, Groups B, C, & D; Class I, Groups E, F, & G

| Bulb | Housing | Switching Element | Range | Diaphragm | Pressure Port Material & Connection Size | Accessories |
|------|---------|--|-------|-----------|--|---|
| ALL | B3, B6 | A, AA, AF, AG, B, BB, C, E, EE, EF, EG, G, GG, H, J, JF, JG, JJ, K, KA, KK, L, LL, P, S, T, W, Y, YY | ALL | ALL | ALL | WV or ML Required. All except CG, GC, GG, HB, HT, KK, LL, ME, TB, TP, ZZ |

Electromechanical Temperature Switches

Approximate Weights

| Housing | Weight (lbs) | (kgs) |
|----------------------------|--------------|-------|
| AC | 1 | .5 |
| AG, BG, H3 | 1.5 | .75 |
| AH, BH, NN, N3, N4, PP, P3 | 2 | 1 |
| RM, RN | 2.5 | 1.25 |
| BA, N6, RB, V1 | 3 | 1.5 |
| RT | 3.5 | 1.75 |
| L, LC, SC | 4 | 2 |
| TA | 4.5 | 2.25 |
| V2 | 5 | 2.5 |
| B3, B4 | 8 | 3.5 |
| B5, B6 | 10 | 4.5 |

| Accessories | Add (lbs) | (kgs) |
|---------------------------------------|-----------|-------|
| PK Pipe Kit | 1.5 | 0.7 |
| TB Junction Box with Terminal Block | 5 | 2.25 |
| HB, HBME or HT Universal Terminal Box | 2.5 | 1.1 |

Actual shipping weights may vary from the charted values because of product material, configuration and packaging requirements.

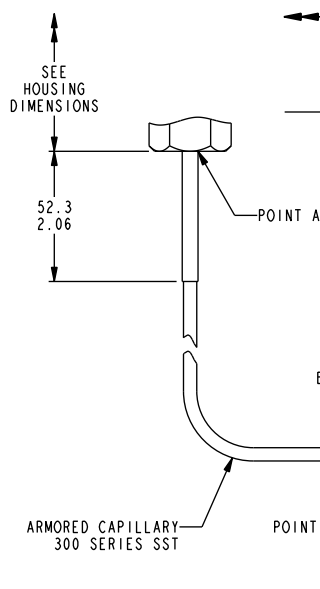
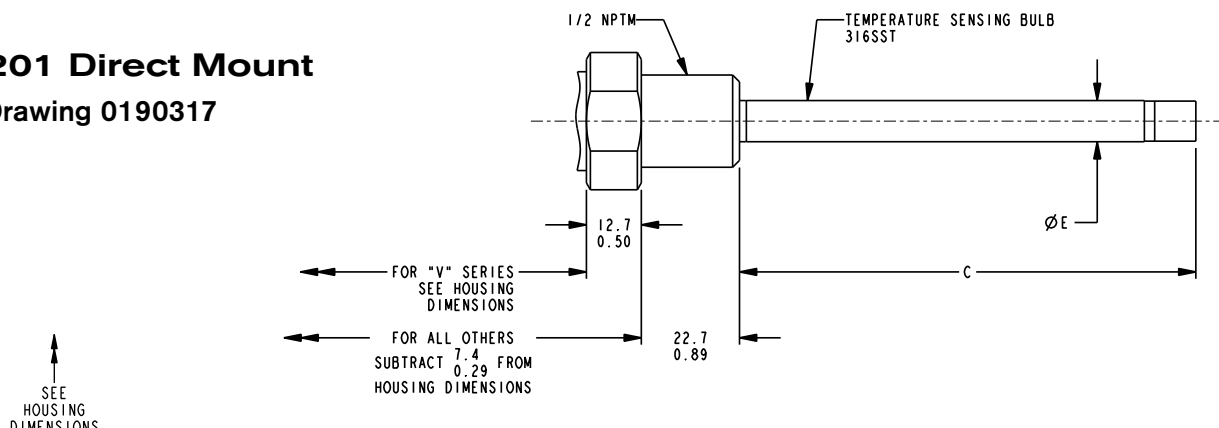
Electromechanical Temperature Switches

Dimensions

Dimensions in this catalog are for reference only. They may be changed without notice. Contact the factory for certified drawings for a particular model number. All dimensions shown are expressed as millimeters over inches. (Linear = mm/in.)

201 Direct Mount

Drawing 0190317



203-209 Remote Mount

Drawing 0190318

Dimensions

| Feature | A-B | | C | | | | C with NB Option | | D | | | | E Diameter | | | |
|---------|-----|------|---------------|------|----------|------|------------------|---------------|------------|---------------|------------|---------------|------------|------|------|------|
| | m | ft. | mm | in. | mm | in. | mm | in. | mm | in. | mm | in. | mm | in. | mm | in. |
| Range | All | | 135, 125, 115 | 105 | 135, 125 | | 135, 125 | 135, 125, 115 | 105 | 135, 125, 115 | 105 | 135, 125, 115 | 105 | | | |
| Bulb | m | ft. | mm | in. | mm | in. | mm | in. | mm | in. | mm | in. | mm | in. | mm | in. |
| 201 | N/A | N/A | 105.7 | 4.16 | - | - | 107.2 | 4.22 | - | - | - | - | 9.7 | 0.38 | - | - |
| 203 | 1.8 | 6.0 | 112.0 | 4.41 | 148.3 | 5.84 | 112.0 | 4.41 | 135 to 396 | 5.3 to 15.6 | 170 to 433 | 6.7 to 17.1 | 9.7 | 0.38 | 16.0 | 0.63 |
| 205 | 3.0 | 10.0 | 124.7 | 4.91 | 148.3 | 5.84 | 112.0 | 4.41 | 147 to 409 | 5.8 to 16.1 | 170 to 433 | 6.7 to 17.1 | 9.7 | 0.38 | 16.0 | 0.63 |
| 207 | 4.5 | 15.0 | 162.8 | 6.41 | 148.3 | 5.84 | 112.0 | 4.41 | 185 to 447 | 7.3 to 17.6 | 170 to 433 | 6.7 to 17.1 | 9.7 | 0.38 | 16.0 | 0.63 |
| 209 | 6.0 | 20.0 | 194.6 | 7.66 | 148.3 | 5.84 | 112.0 | 4.41 | 216 to 480 | 8.5 to 18.9 | 170 to 433 | 6.7 to 17.1 | 9.7 | 0.38 | 16.0 | 0.63 |

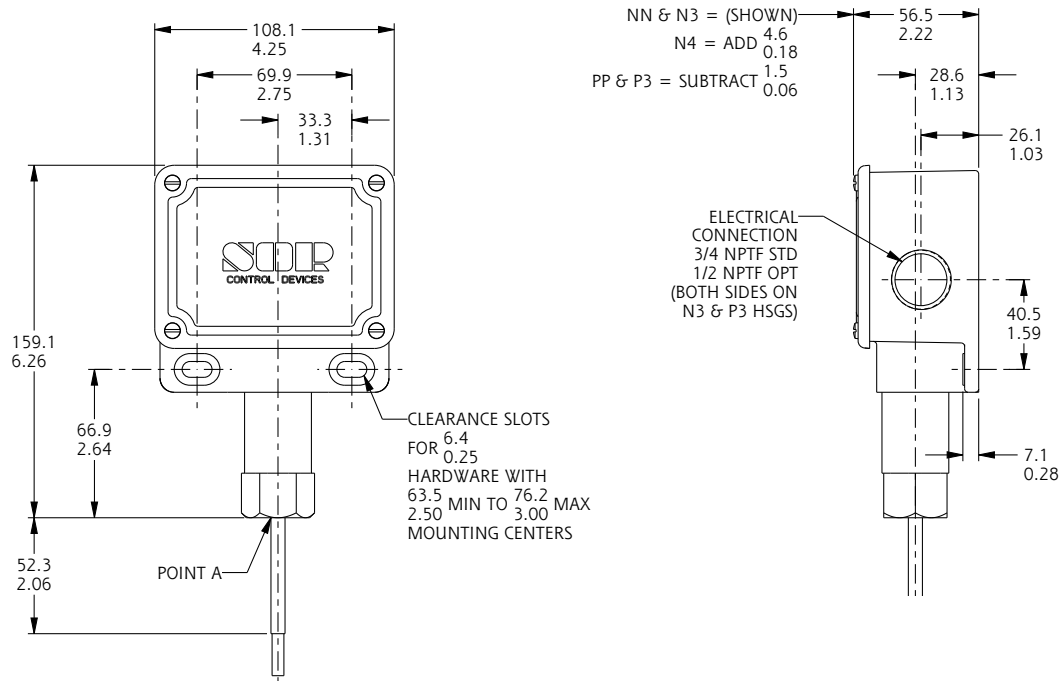
* With NB option, dimension D is: 135 to 396mm (5.3 to 15.6 in.) - Remote Mount

Electromechanical Temperature Switches

Dimensions

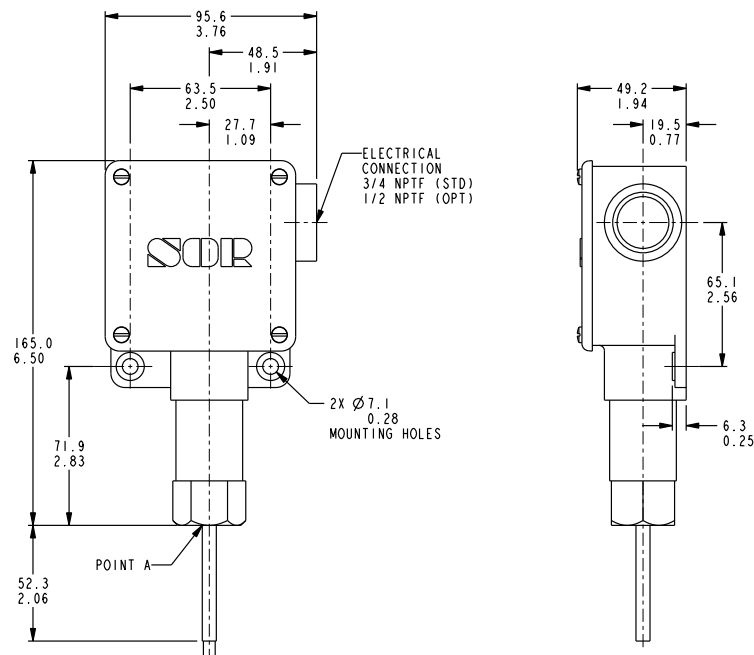
Dimensions in this catalog are for reference only. They may be changed without notice. Contact the factory for certified drawings for a particular model number. Dimensions in this catalog are expressed as millimeter over inches (Linear = mm/in.).

Weathertight-Non-hazardous Service (NEMA 4, 4X, IP65)



Housing: NN, N3, N4, PP, P3

Drawing 0190157



Housing: N6

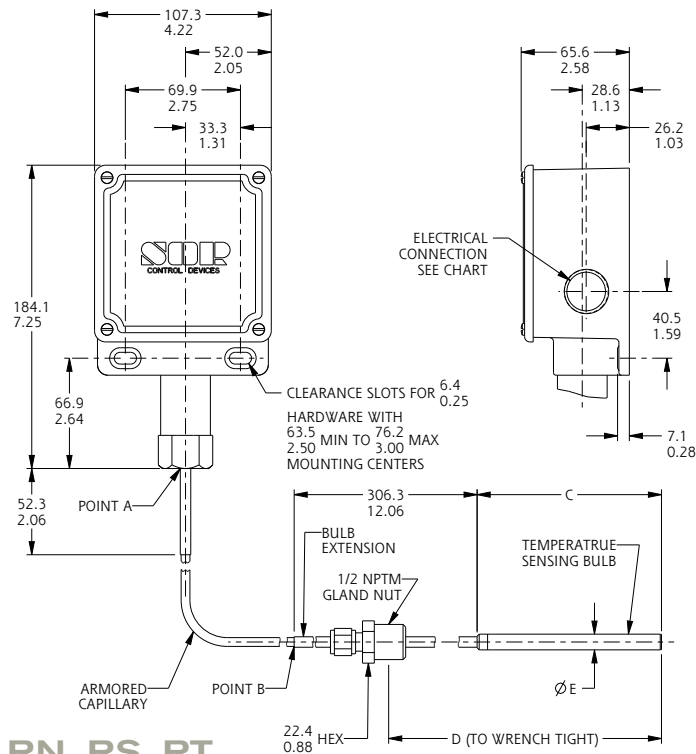
Drawing 0190173

Electromechanical Temperature Switches

Dimensions

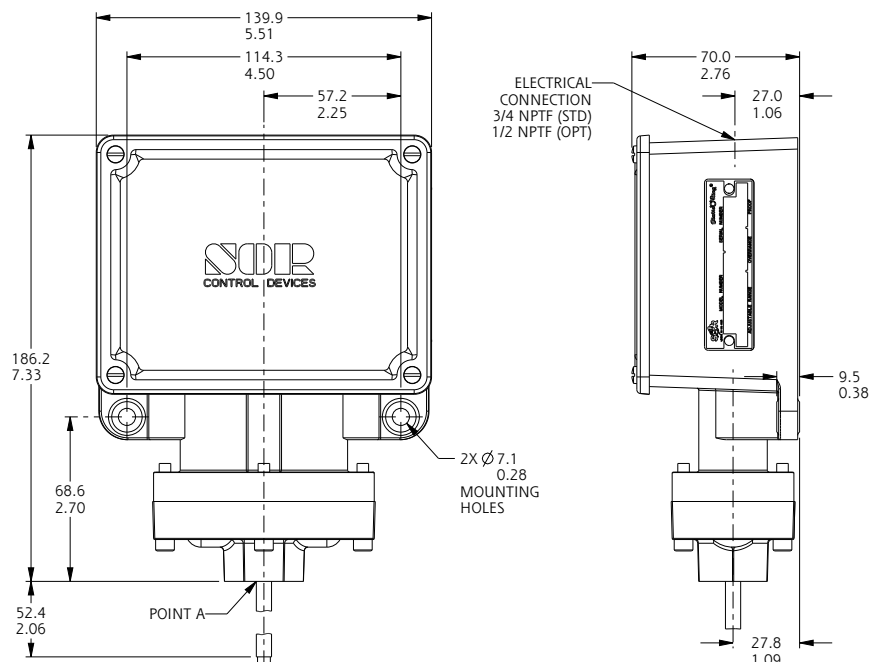
Dimensions in this catalog are for reference only. They may be changed without notice. Contact the factory for certified drawings for a particular model number. Dimensions in this catalog are expressed as millimeter over inches (Linear = mm/in.).

Weathertight-Non-hazardous Service (NEMA 4, 4X, IP65)



Housing: RM, RN, RS, RT

Drawing 0190136



Housing: V1

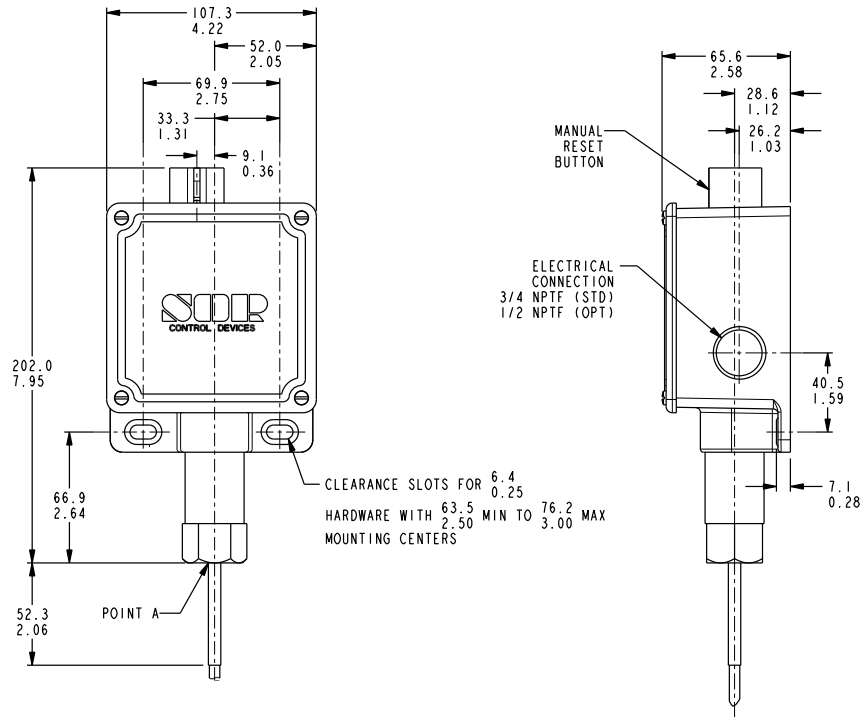
Drawing 0190094

Electromechanical Temperature Switches

Dimensions

Dimensions in this catalog are for reference only. They may be changed without notice. Contact the factory for certified drawings for a particular model number. Dimensions in this catalog are expressed as millimeter over inches (Linear = mm/in.).

Weathertight-Non-hazardous Service (NEMA 4, 4X, IP65)



Housing: RB - Manual Reset

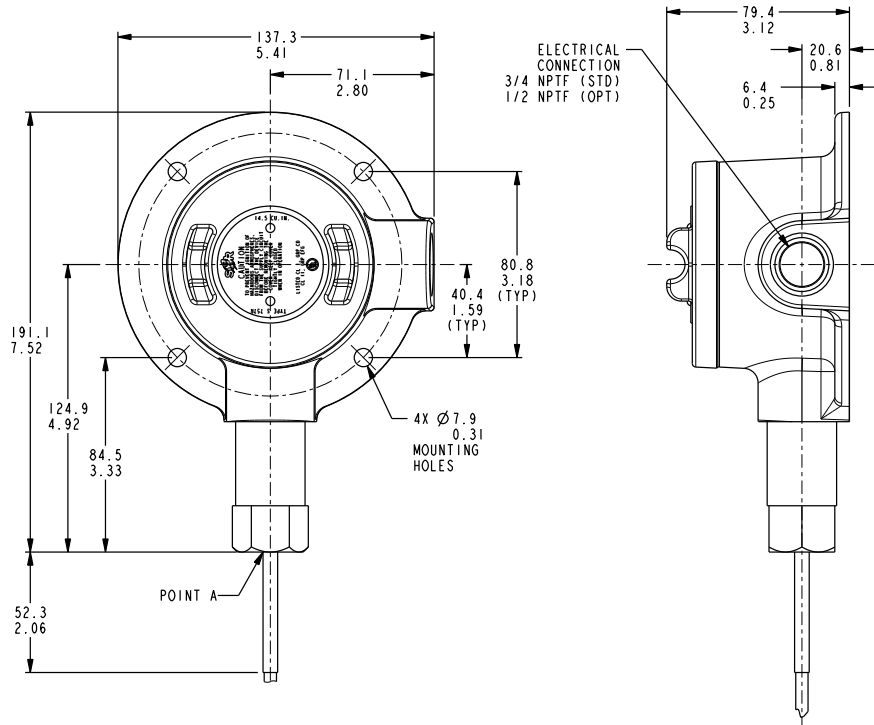
Drawing 0190230

Electromechanical Temperature Switches

Dimensions

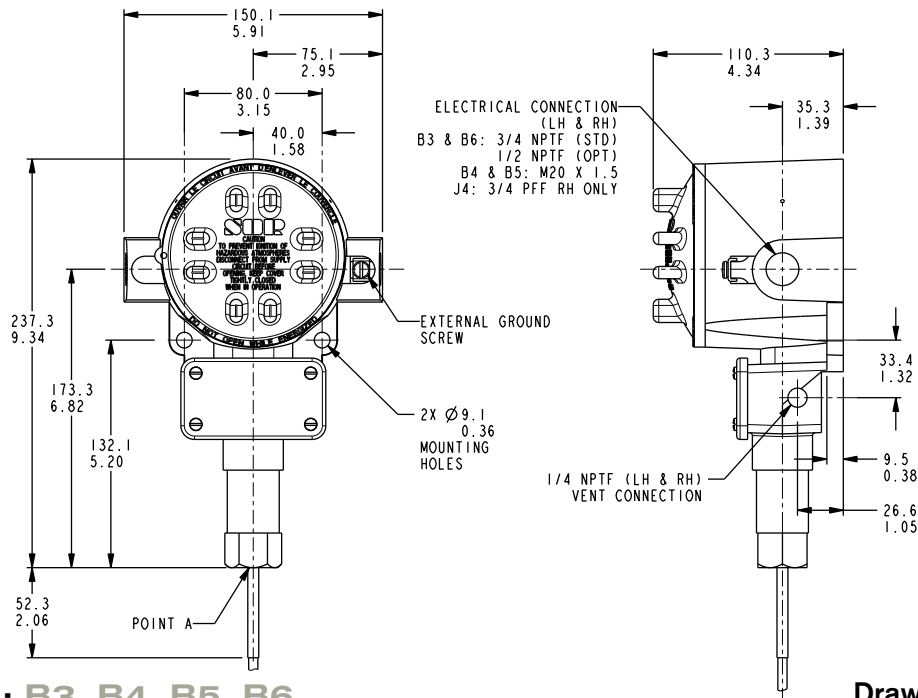
Dimensions in this catalog are for reference only. They may be changed without notice. Contact the factory for certified drawings for a particular model number. Dimensions in this catalog are expressed as millimeter over inches (Linear = mm/in.).

Conventional Explosion Proof



Housing: L

Drawing 0190026



Housing: B3, B4, B5, B6

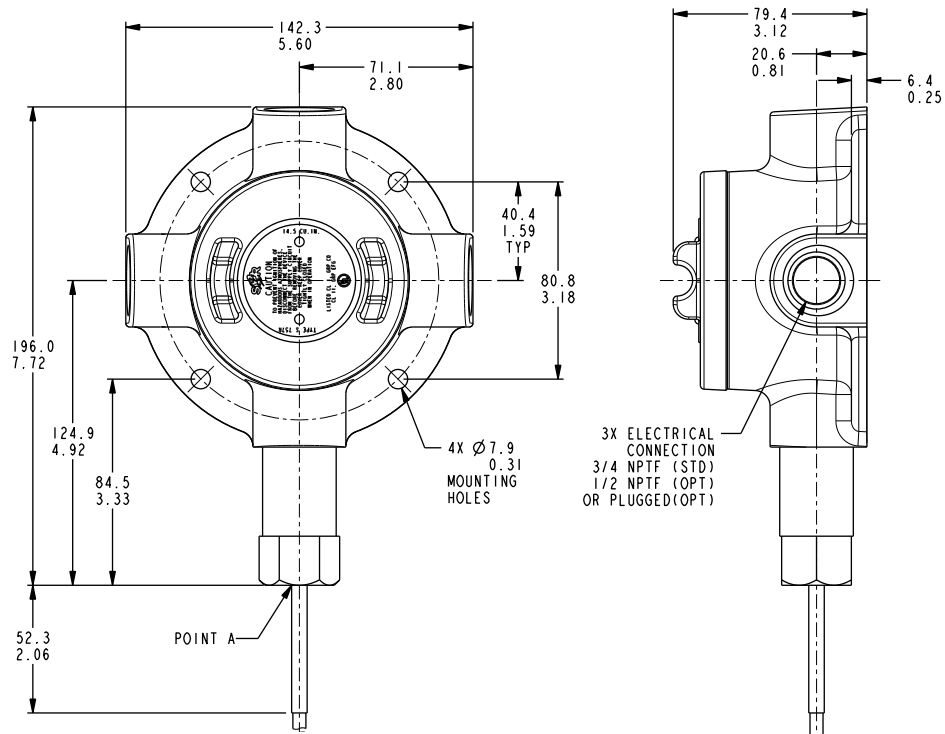
Drawing 0190312

Electromechanical Temperature Switches

Dimensions

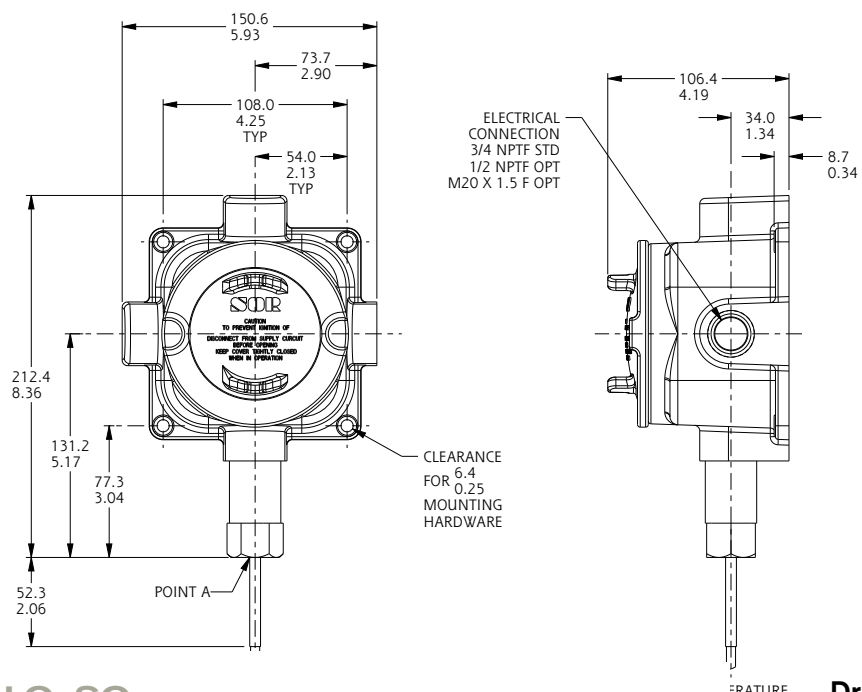
Dimensions in this catalog are for reference only. They may be changed without notice. Contact the factory for certified drawings for a particular model number. Dimensions in this catalog are expressed as millimeter over inches (Linear = mm/in.).

Conventional Explosion Proof



Housing: S

Drawing 0190028



Housing: LC, SC

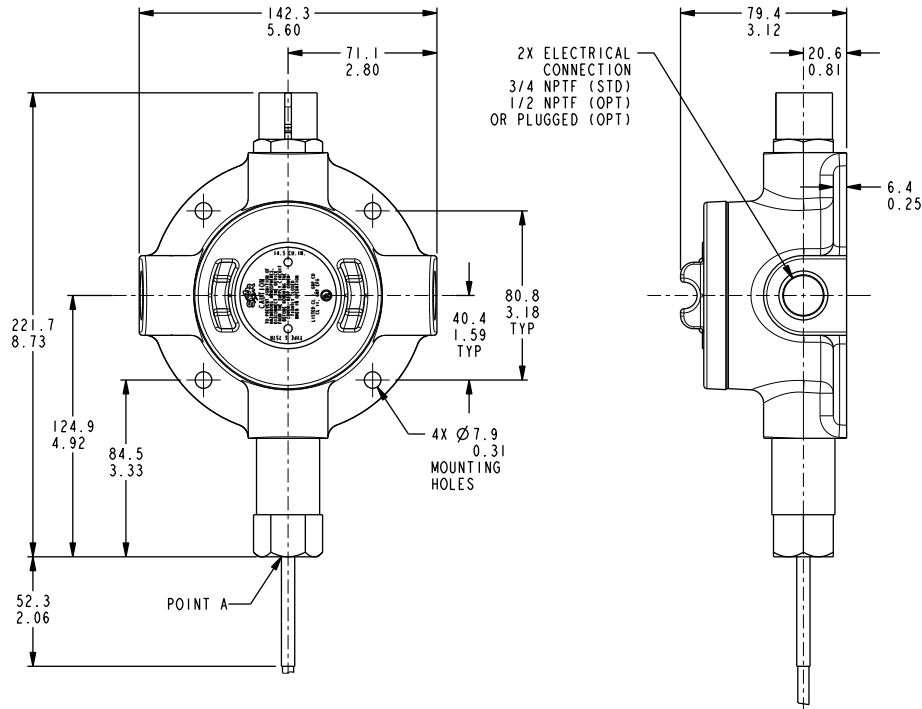
Drawing 0190003

Electromechanical Temperature Switches

Dimensions

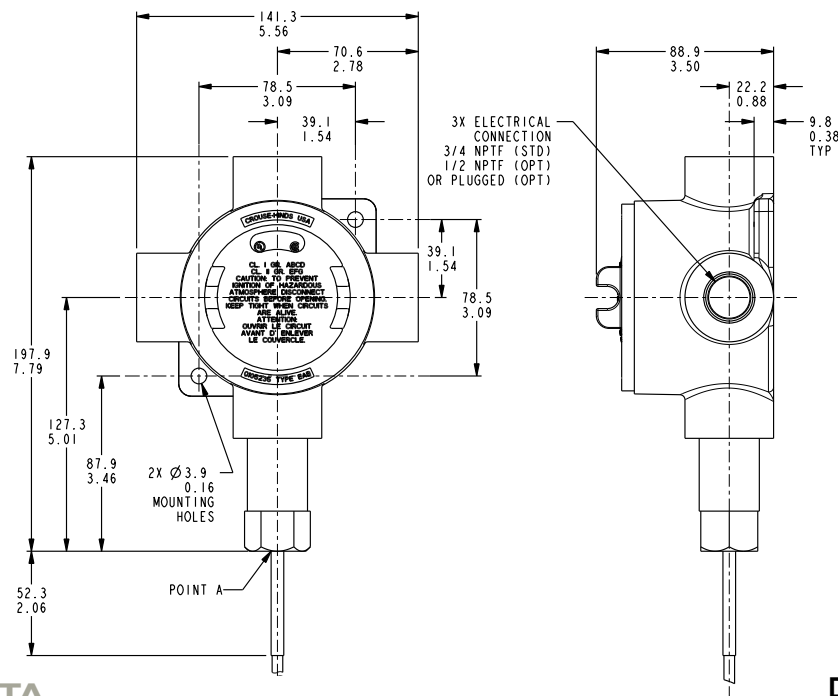
Dimensions in this catalog are for reference only. They may be changed without notice. Contact the factory for certified drawings for a particular model number. Dimensions in this catalog are expressed as millimeter over inches (Linear = mm/in.).

Conventional Explosion Proof



Housing: S Manual Reset

Drawing 0190308



Housing: TA

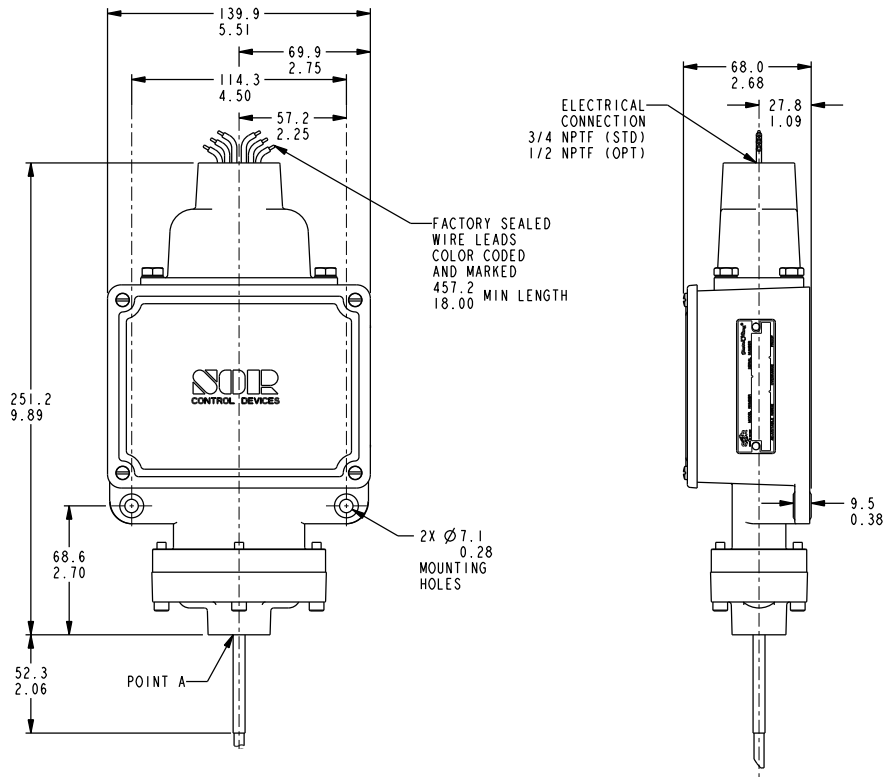
Drawing 0190184

Electromechanical Temperature Switches

Dimensions

Dimensions in this catalog are for reference only. They may be changed without notice. Contact the factory for certified drawings for a particular model number. Dimensions in this catalog are expressed as millimeter over inches (Linear = mm/in.).

Hermetically Sealed-Explosion Proof



Housing: V2

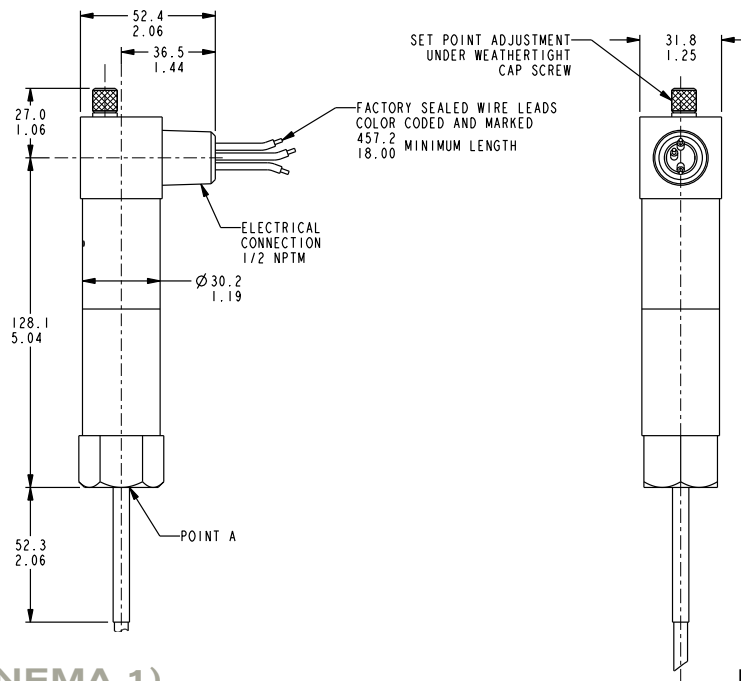
Drawing 0190107

Electromechanical Temperature Switches

Dimensions

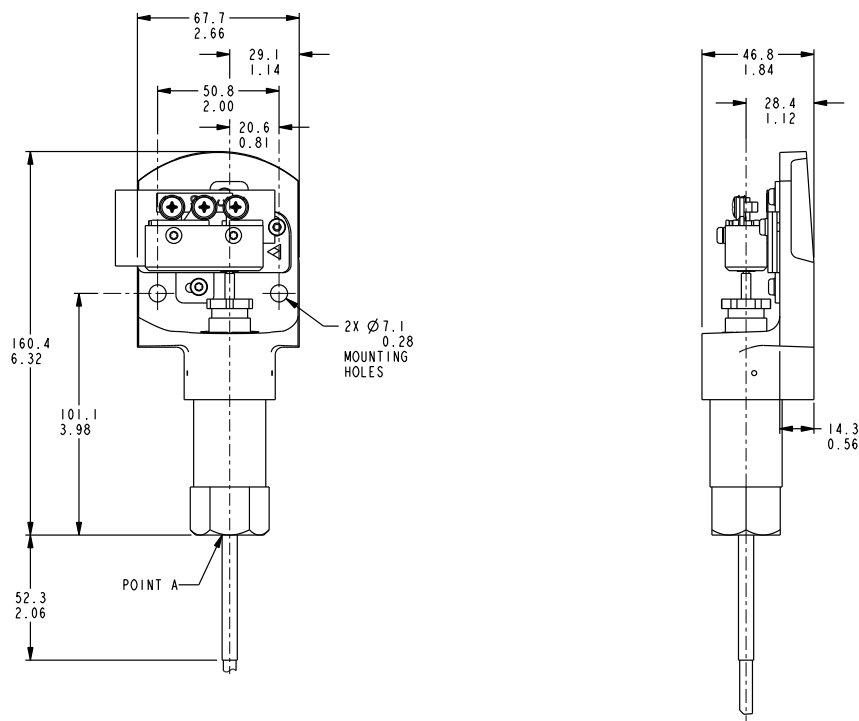
Dimensions in this catalog are for reference only. They may be changed without notice. Contact the factory for certified drawings for a particular model number. Dimensions in this catalog are expressed as millimeter over inches (Linear = mm/in.).

General Purpose



Housing: AC (NEMA 1)

Drawing 0190005



Housing: H3

Drawing 0190008

SOR® offers a full line of commercial-grade process instruments.

**echOsonix®
Level Transmitters**



**Level
Switches**



Level

**Temperature
Switches**



Temperature Pressure

**Flow
Switches**



Flow



Process Instrumentation

We Deliver Quality On Time

SOR Inc.

14685 West 105th Street
Lenexa, Kansas 66215

Phone 913-888-2630
Toll Free 800-676-6794
Fax 913-888-0767

sorinc.com

SOR Europe, Ltd.

Farren Court
Cowfold
West Sussex RH13 8BP
United Kingdom

Phone +44 (0) 1403 864000
Fax +44 (0) 1403 864040

SOR - China

Room 903, No. 10 Building
Wan Da Plaza
No. 93 Jian Guo Road
Chao Yang District
Beijing, China 100022

Phone +86 (10) 5820 8767
Fax +86 (10) 58 20 8770

**Pressure
Switches**

