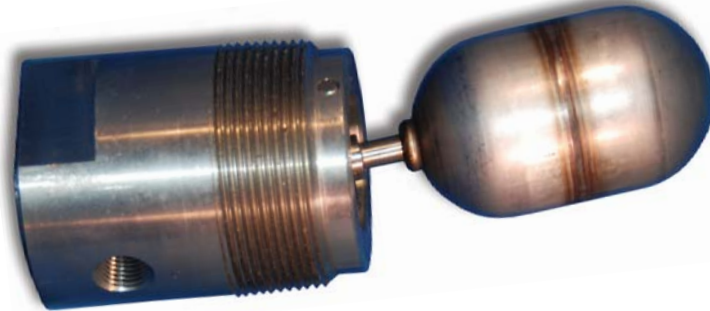




## Type 1540 Side-Mount Pneumatic Level Switch

### General Instructions

The side-mounted SOR® Type 1540 Pneumatic Level Switch provides a pneumatic output signal for either a high or low level condition. The float moves a magnet into the field of a magnetically actuated sensor. The unit may be mounted for either high or low liquid level alarm.



***NOTE: If you suspect that a product is defective, contact the factory or the SOR Representative in your area for a return authorization number (RMA). This product should only be installed by trained and competent personnel.***

### Before Installing the Level Switch

- Inspect the unit for any shipment damage.
- Check for mechanical clearance. The float must move freely throughout its stroke inside the vessel.
- Use an acceptable thread compound to ensure a leak-free fit and avoid thread galling when installing the unit into the vessel.
- Clean, dry air or gas must be used as the supply media to avoid plugging critical internal restrictions.
- MC or MD (manual check) option can be removed to allow supply fitting to be installed. Reseal threads with acceptable thread compound and insert to dimension shown.

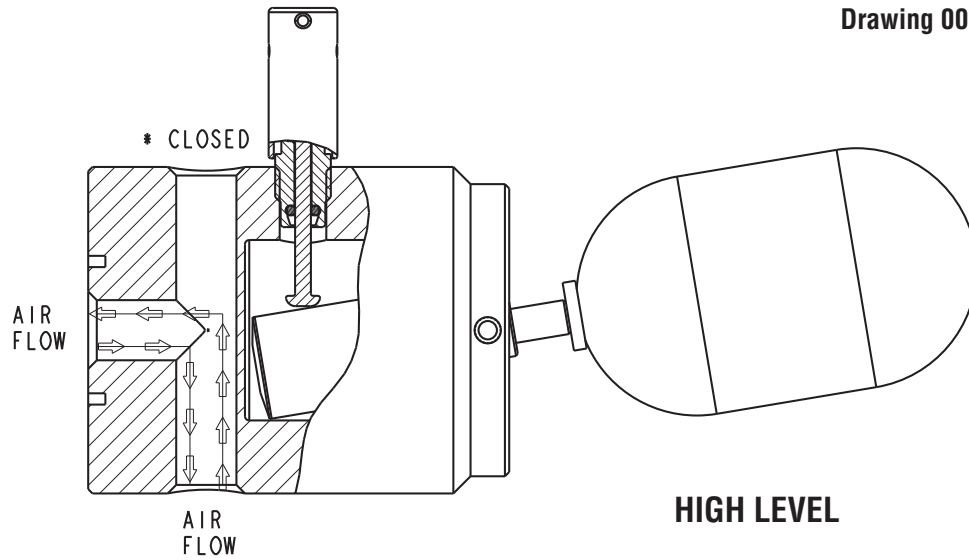
SUPPLY PRESSURE RANGE: 0 TO 30 PSIG

*Design and specifications are subject to change without notice.  
For latest revision, go to [www.sorinc.com](http://www.sorinc.com)*

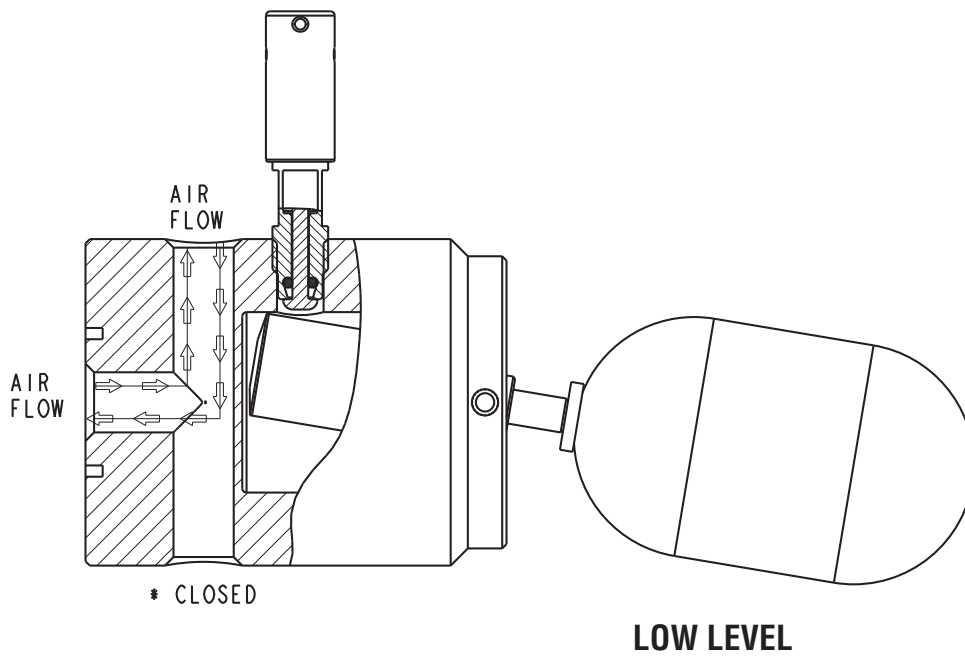
The following drawings show the manual check (MC or MD) option.

Linear = mm/inches

**Drawing 0091448**

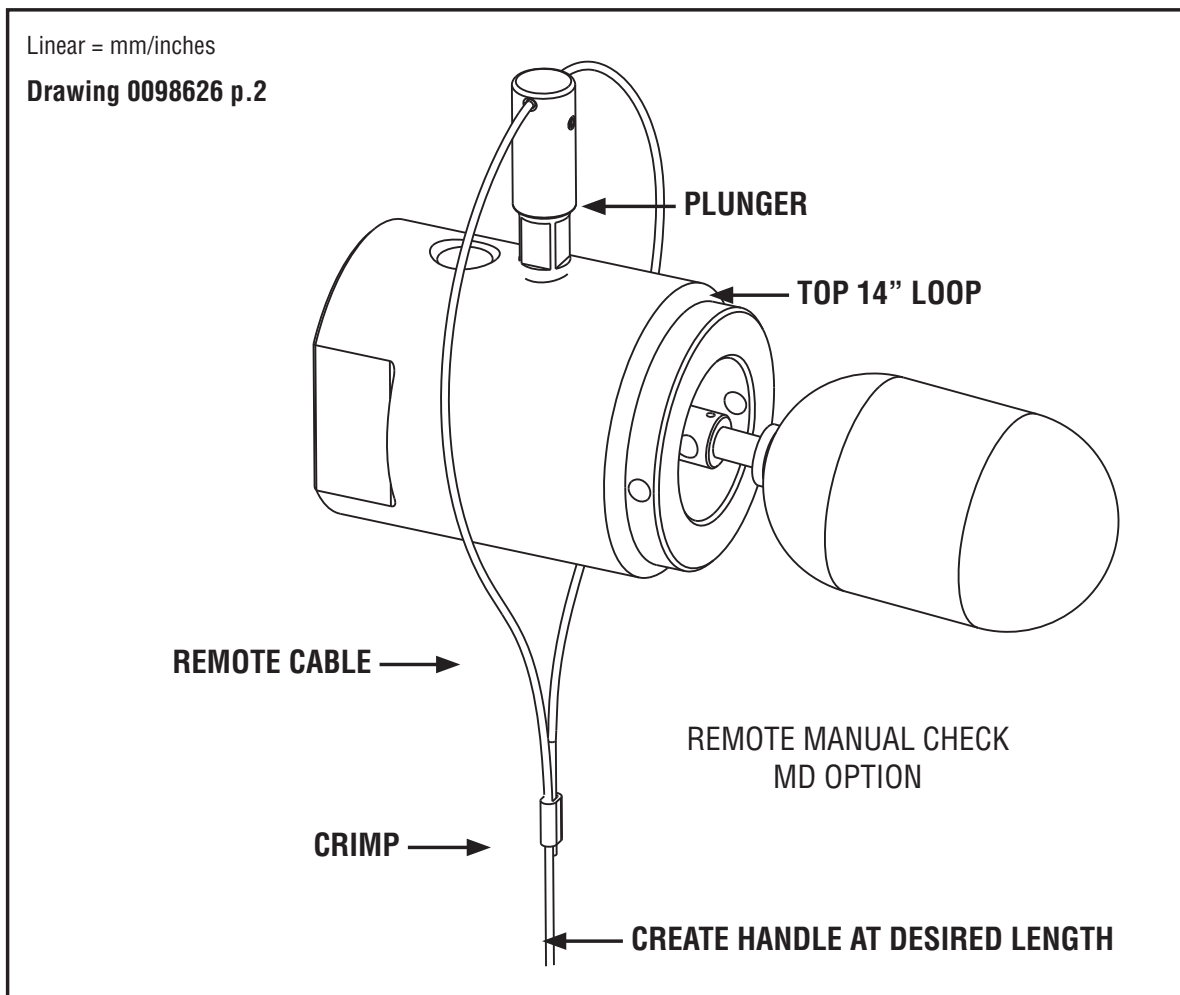


\* DO NOT PLUG THIS PORT. DURING ACTUATION AND RESET, TRAPPED AIR IN THE SENSOR MUST ESCAPE FOR THE UNIT TO OPERATE PROPERLY.

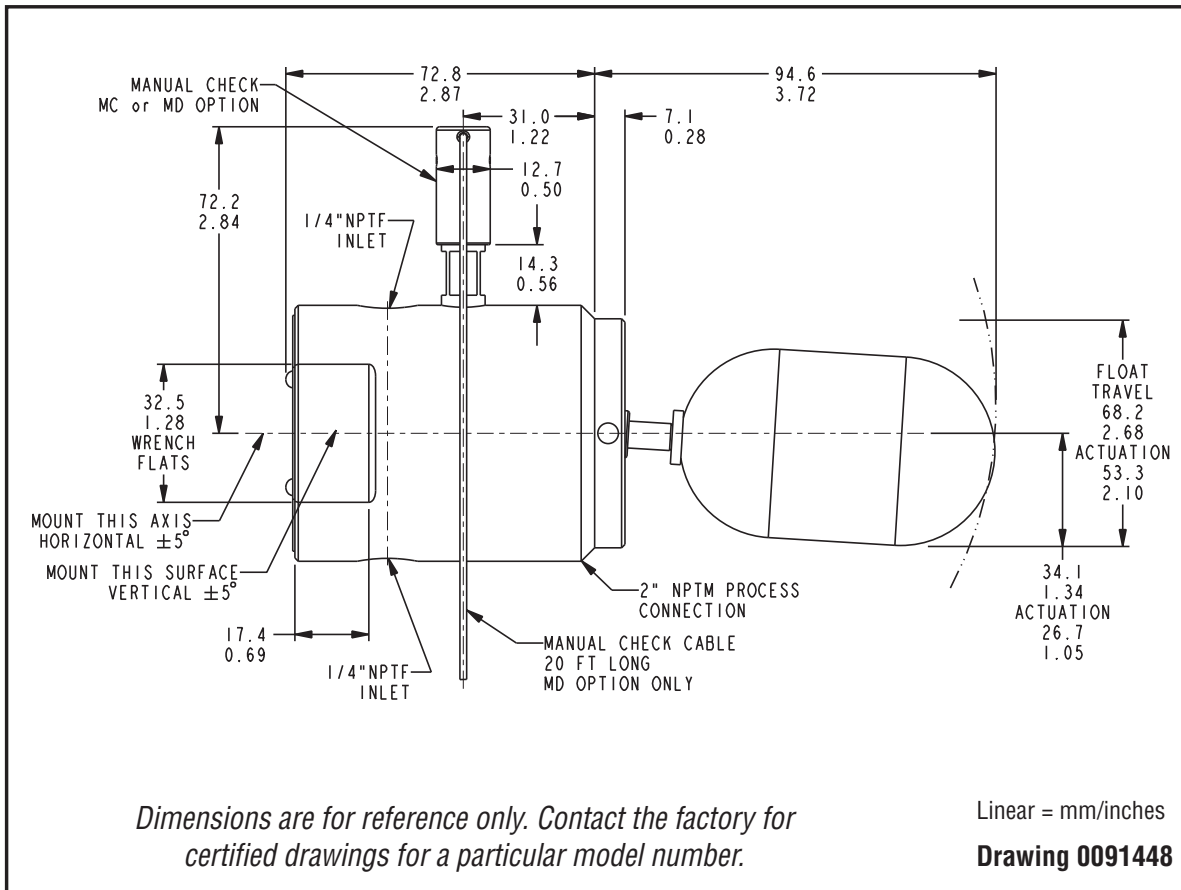


## Installation

- The unit may be mounted using the standard 2" NPT process connection.
- MD Remote Option (includes plunger, 20 foot cable and two crimps.)
  - Screw plunger to the top of unit.
  - Thread the 20' cable through the hole in plunger and create a 14 inch top loop as shown below.
  - At the bottom of the cable, a second loop can be created as a handle for actuation at the desired length.



## Dimensions



## Replacement Parts

Designator	Description
3130040	20' Remote Cable with two cable crimps*
3100152	Float
9227012	Float & Arm Assembly
9227024	Manual Check Accessory (uses Viton GLT O-ring) (MC)*
9227025	Manual Check Accessory with remote 20' cable (MD)*

\* Unit must have originally been supplied with MC or MD option.



Printed in USA

sorinc.com

14685 West 105th Street, Lenexa, KS 66215 ■ 913-888-2630 ■ 800-676-6794 USA ■ Fax 913-888-0767