



# Type 1540 Side-Mount Pneumatic Level Switch

Form 1337

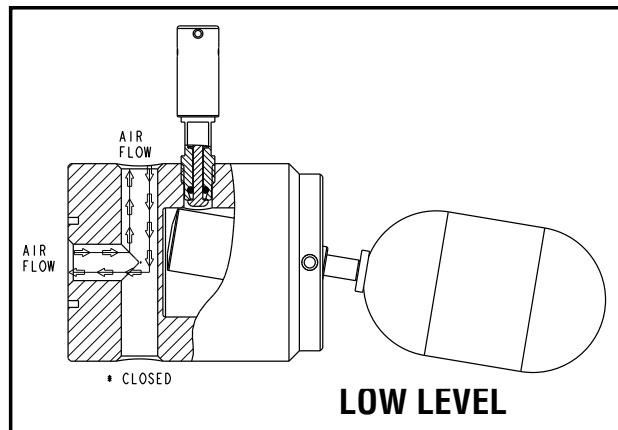
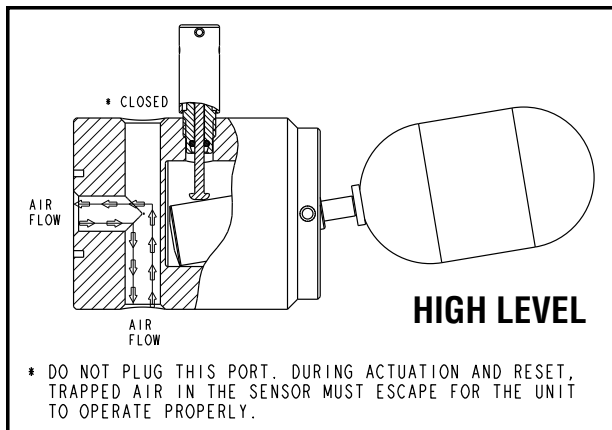
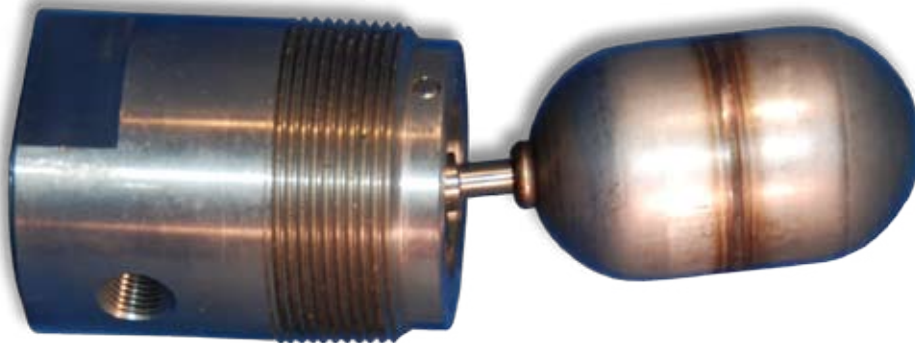
**Type 1540** is a horizontally mounted, float-operated level switch suitable for plant and OEM applications where pneumatic valve operation is required to signal presence or absence of liquid at a discrete level. The float arm moves a magnet which in turn moves a shuttle that either blocks or allows pilot pressure to pass and operate ancillary equipment. Actuation (deactuation) can be reversed by rotating the unit 180 degrees or switching inlet connections (see below).

The supply media must be filtered and oil free. Air is the usual media; however, any dry, filtered gas can be used.

## Product Specifications

Orientation	Horizontal mount only
Connection Size	2" NPT(M)
I/O Connection	1/4" NPT(F)
Output Pressure	0-30 psi (0-2 BAR)
Pilot (supply) Pressure	0-30 psi (0-2 BAR)
Flow Rate @ 30 psi Supply	60 SCFH (1.7 CMH)
Maximum Process Pressure	1500 psi (103 BAR)
Process Temperature Range	-40 to 400°F (-40 to 204°C)
Minimum Specific Gravity	0.65
Weight	3.5 lbs. (2 kg)

SCFH - Standard cubic feet per hour  
CMH - Cubic meter per hour





# Type 1540 Side-Mount Pneumatic Level Switch

## How to Order

### Optional Accessories

Add option designator(s) to end of model number.

Description	Designator
Wetted parts are cleaned for industrial oxygen service.	BB
Canadian Registration Number (CRN).	CV
ANSI B31.3 certificate of conformance.	CZ
Manual Check accessory (uses Viton GLT O-ring).	MC*
Manual Check accessory (uses Viton GLT O-ring) with 20' remote cable.	MD*
NACE construction - MR-01-75 / ISO 15156 2003.	NC
Tag fiber. Attached with plastic wire to housing. Stamped with customer-specified tagging information.	PP
Stainless steel nameplate attached to housing with wire. Stamped with customer-specified tagging information. (2 lines, 18 characters and spaces per line.)	RR
Stainless steel nameplate permanently attached to housing. Stamped with customer-specified tagging information.	TT
Fungicidal varnish. Covers exterior except working parts.	VV

\* Manufacturer limits on Viton GLT are -40 to 400°F.

### Test Certificates

	Certificates	C1	C3	C4	C7	B7
1540 Pneumatic Level Switch	Calibration	◆				◆
	Inspection Report		◆			◆
	Compliance / Conformance			◆		◆
	QA Test Report				◆	

### Replacement Parts

Designator	Description
3130040	20' Remote Cable with two cable crimps**
3100152	Float
9227012	Float & Arm Assembly
9227024	Manual Check Accessory (uses Viton GLT O-ring) (MC)**
9227025	Manual Check Accessory with remote 20' cable (MD)**

\*\*Unit must have originally been supplied with MC or MD option.

### Limited Warranty

SOR® agrees to repair or replace any switch found to be defective in material or workmanship within five years from date of shipment. The limited warranty is valid only if the switch was installed in accordance with published factory installation instructions, operated within the design limitations stated on the nameplate, and returned to the factory for inspection, freight prepaid, within the warranty period. Contact the factory for return authorization. No claim for labor or consequential damages will be allowed.

*SOR® offers a full line of commercial-grade process instruments.*

**echOsonix®  
Level Transmitters**



**Level  
Switches**



# Level

**Temperature  
Switches**



# Temperature Pressure

**Flow  
Switches**



# Flow



**Process Instrumentation**

**Pressure  
Switches**



***We Deliver Quality On Time***

**SOR Inc.**

14685 West 105th Street  
Lenexa, Kansas 66215

Phone 913-888-2630  
Toll Free 800-676-6794  
Fax 913-888-0767

**sorinc.com**

**SOR Europe, Ltd.**

Farren Court  
Cowfold  
West Sussex RH13 8BP  
United Kingdom

Phone +44 (0) 1403 864000  
Fax +44 (0) 1403 864040

**SOR - China**

Room 903, No. 10 Building  
Wan Da Plaza  
No. 93 Jian Guo Road  
Chao Yang District  
Beijing, China 100022

Phone +86 (10) 5820 8767  
Fax +86 (10) 58 20 8770

**Registered Quality System to ISO 9001:2008**

Form 1337 (06.11) ©2011 SOR Inc.