

## Ultrasonic Point Level Switches

### Ultrasonic point level switches

are a cost-effective solution for your applications. Installation requires mounting the sensor (threaded or flanged) to the vessel, connecting the power and control wires, and applying power. There is no additional set-up or calibration required. Since it is an electronic instrument with no moving parts, preventive maintenance is limited to an annual visual inspection. The only recommended spare part is the “board” at a quantity of one board for every 10 units. A technician with basic electrical skills (wiring) can service the instrument.

Why use an ultrasonic switch over other level technologies? Depending upon your application, there may be three or four technologies equally suited for your application; however, only one will be the best choice when considering its features and benefits.

### Features & Benefits

#### Cost

- In addition to the price of the instrument, you must consider the cost of installation, set-up and calibration.

#### Maintenance

- You need to factor in the frequency of preventative maintenance. Also, consider the cost of keeping key “spare parts” on the shelf.

#### Skill

- What “skill” level is required of your maintenance personnel to service the instrument.



701 Single Point



711 Single Point



722 Dual Point

Ultrasonic switches are simple to apply and use. There are only a few limitations to their use:

- The media must be liquid
- Process temperature between -40 and 250°F (-40 to 121°C)
- The media must have less than 5% suspended solids
- No aeration in fluids with a viscosity of 100cP (30W motor oil) or greater

The following chart will assist you in selecting the right product for your application.

<b>Single-Point Sensing</b>	<b>Line Power</b>		<b>Loop Power</b>
Integral Mount Electronics	701 Pages 4-5	711 Pages 6-7	701 Pages 4-5
Integral Mount Electronics with Sensor Monitor (Self-Test)	721 Pages 8-9		721 Pages 8-9
Remote Mount Electronics	701 Pages 4-5	711 Pages 6-7	701 Pages 4-5
Remote Mount Electronics with Sensor Monitor (Self-Test)	721 Pages 8-9		721 Pages 8-9
<b>Dual-Point Sensing</b>	<b>Line Power</b>		<b>Loop Power</b>
Alarm or Pump Control	712 Pages 10-11		N/A
Alarm or Pump Control with Sensor Monitor (Self-Test)	722 Pages 12-13		N/A

## Principle

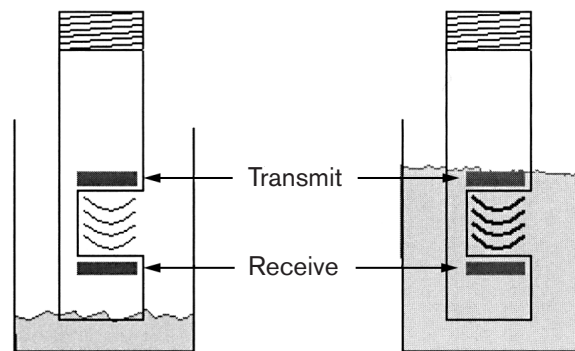
An ultrasonic switch is a device that uses inaudible high-frequency sound (ultrasound) to detect the presence or absence of a liquid at a designated point. The device consists of an electronic control unit and a sensor.

Ultrasonic level switches use the properties of sound transmission in vapor and liquids to detect liquid level. When sound travels in air, it loses a great deal of signal strength. When traveling in liquid, sound retains almost all of its signal strength.

To detect liquid level, we must determine if there is a liquid or gas (air) in the gap. Since liquids have a higher density than gasses, it is easier to transmit sound through them. One side of the sensor gap transmits sound, the other side detects it. When liquid is present, a high amount of sound is received at the detection side. When gas (air) is present, a small amount of sound is received. The electronics detect this difference and switch a relay accordingly.

Ultrasonic switch sensors contain two piezoelectric crystals, one transmits sound and one receives sound. Each crystal is mounted on one side of a gap in the metal sensor. The transmit crystal generates high frequency sound (1MHz to 3 MHz) that is directed across the gap to the receiver crystal. The receiver crystal converts the sound energy received into an electric signal, which is processed by the electronics to determine if the gap has liquid or air in it.

The drawing below shows the basic construction of an ultrasonic level switch sensor. An electrical signal is sent to the “transmit” crystal, which causes it to vibrate and produce high frequency sound. The “receive” crystal converts the high frequency sound that strikes it to another electrical signal, which is sent back to the electronics for processing. The sound energy that makes it across the sensor gap is very weak in air, and becomes very strong in liquid.



## Application Conditions

Ultrasonic level switches can be used in a wide variety of applications without any calibration or setup. However, there are limitations to the types of process they will work in. The factors below must be taken into consideration before selecting an ultrasonic level switch for your application.

- Liquids only - the process media must be a liquid. The ultrasonic level switch cannot detect the difference between two gases or a gas and a solid. The even density of a liquid is required for proper detection.
- Clean liquids only - a liquid that has too high a percentage of solids will not transmit sound well enough to allow detection. Typically 5% suspended solids are the maximum amount allowed.
- The liquid must flow - an application where the liquid cannot drain out of the sensor gap will cause false alarms. If a liquid is too viscous to flow out of a 3/4" gap then the unit will not operate properly. Sometimes this can be solved by different mounting, but some liquids are just too viscous.
- No (or few) bubbles - especially in fluids with a viscosity higher than 100cP (30W motor oil). Large bubbles in thick fluids will block the sound signal from crossing the gap. Low viscosity fluids can have a fairly large amounts of bubbles as they tend to be very small (Alka-Seltzer in water).

If these guidelines are properly observed, the ultrasonic level switches will provide trouble-free operation without any calibration or periodic adjustment.

### The 701 tip-sensitive ultrasonic switch

is a single-point device designed for economical detection of clean liquids. There are no moving parts and no calibration. The 701 is available either integral or remote mounted. An optional time delay can be used to eliminate false alarms due to turbulence in the process. An optional field selectable fail-safe switch is also available. The standard unit is set to High-level Failsafe (HLFS)

### Features

- No calibration required
- 10A DPDT relay output
- FM Approved or CSA Certified for hazardous locations
- Line and loop powered versions
- Rostechnadzor (RTN) standard certificate (available upon request)



701 Single Point

Product Specifications			
<b>Input Power</b>			
Line	120 VAC, 50/60 Hz		
	240 VAC, 50/60 Hz		
	24 VDC		
Loop	11-36 VDC Intrinsically Safe		
<b>Fuses</b>	Field replaceable (line power only)		
<b>Output Type</b>			
Line	10A DPDT, 250 VAC		
	10A DPDT, 30 VDC		
	DC rating shown for resistive loads		
Loop	8mA (dry),		
	16 mA (Wet)-Standard		
<b>Loop Resistance</b>	765 ohms maximum @ 24 VDC		
<b>Repeatability</b>	0.078" (2mm)		
<b>Failsafe</b>	HLFS-Standard; field selectable is optional		
		<b>Maximum Current Draw (Line Power)</b>	
		24 VDC	100 mA
		120 VAC	35 mA
		240 VAC	18 mA
		<b>Response Time</b>	
		On	0 second
		Off	1 second
		<b>Enclosure Environmental Rating</b>	NEMA 4X; IP65
		<b>Conduit Connection</b>	3/4" NPT
		<b>Maximum Remote Distance from Sensor</b>	50 feet (15.2 meters)
		<b>Ambient Temperature Range</b>	-40 to 160°F (-40 to 71°C)
		<b>Process Temperature Range</b>	-40 to 250°F (-40 to 121°C)
		<b>Maximum Process Pressure</b>	2000 psig (138 bar)
		<b>Weight*</b>	2.5 lbs. (1.2 kg)

\* See page 23 for sensor weights.

## Model Number System

### 701-K1-U-P7-C-FS

The 701 is comprised of two parts. The first is the electronics and housing; the second is the sensor. Select the electronics and housings on this page and refer to page 18 for the sensor model number. The housing dimensions can be seen on pages 14 & 15. When ordering a remote housing, order remote cable part number 300-XX-S (XX = length in feet). Orders must have complete model numbers, i.e. each component must have a designator.

\* Match sensor approvals to electronics approvals to maintain the agency listing integrity.

Power Supply		2
24 VDC (K1 and R1 housings only)		6
120 VAC (K1 and R1 housings only)		7
240 VAC (K1 and R1 housings only)		8
24 VDC (Loop)		9
(K4 and R4 housings only)		

Electrical Housing		1
Integral	K1	701
Remote	R1	
Integral (9 Power Only)	K4	
Remote (9 Power Only)	R	
(order remote cable part number 300-XX-S, XX = length in feet - max 50 feet)		

3 Accessories	
AI	CSA Certified Intrinsically Safe* (9 power only) (K4 housings only)
BK	Remote electronics flat surface mounting bracket (R housings only) (see pages 14 & 15)
CS	CSA Certified Explosion Proof*
CV	Canadian Registration Number (CRN) Process ratings may be affected. Consult the factory for details
FI	FM Approved Intrinsically Safe* (9 power only) (K4 housings only)
FM	FM Approved Explosion Proof*
FS	Field selectable Failsafe switch (6, 7, 8 power only)
OD	On delay time (6, 7, 8 power only) (specify time from chart on page 16)
OF	Off delay timer (6, 7, 8 power only) (specify time from chart on page 16)
PK	Pipe mounting kit, BK accessory required (R housing only) (see page 17)
PP	Fiber tag with customer specified tag information
PY	Powder coat epoxy coating applied to housing exterior
RG	Gold-contact relay (6, 7, 8 power only)
RR	SS nameplate wired to the unit with customer specified tag information
TT	SS nameplate permanently affixed to housing with customer specified tag information
VV	Fungicidal varnish applied to housing exterior
YY	Epoxy coating applied to housing exterior (200 hours - salt spray)

701	K1	U	P7	C	FS	← Model Number
-----	----	---	----	---	----	----------------

## Agency Approval

Agency	Safety Method	Approval	Model(s)
FM	Explosion Proof	Class I, Groups C, D; Class II, Groups E, F, G; Class III, Division 1	701xx-U-Px-FM
	Intrinsically Safe	Class I, Groups C, D; Class II, Groups E, F, G; Class III, Division 1	701K4-U-P9-FI
CSA	Explosion Proof	Class I, Groups C, D; Class II, Groups E, F, G; Class III, Division 1	701xx-U-Px-CS
	Intrinsically Safe	Class I, Groups C, D; Class II, Groups E, F, G; Class III, Division 1	701K4-U-P9-AI



The **711 ultrasonic switch** is a versatile single-point device designed for the detection of clean liquids. The 711 is available with a variety of sensor types to meet most process conditions. It is available integral or remote mounted and comes standard with field-selectable failsafe.

### Features

- No calibration required
- Can be used with notch, epoxy and viscous type sensors
- FM Approved and CSA Certified, for hazardous locations
- Field-selectable failsafe
- Rostechnadzor (RTN) standard certificate (available upon request)



711 Single Point

Product Specifications				
Input Power	120 VAC, 50/60 Hz	Response Time	On	
	240 VAC, 50/60 Hz			250 mSec
	24 VDC			250 mSec
Output Type	10A DPDT, 250 VAC	Enclosure Environmental Rating	NEMA 4X; IP65	
	10A DPDT, 30 VDC			
	DC rating shown for resistive loads			
Conduit Connection	3/4" NPT	Maximum Remote Distance from Sensor	50 ft. (15.2 m)	
Repeatability	0.078" (2mm)	Ambient Temperature Range	-40 to 160°F (-40 to 71°C)	
Failsafe	Field-selectable	Process Temperature Range	-40 to 250°F (-40 to 121°C)	
Maximum Current Draw (Line Power)	24 VDC	Maximum Process Pressure	2000 psig (138 bar)	
	120 VAC			140 mA
	240 VAC			60 mA
	240 VAC	30 mA	Weight*	
				2.5 lbs. (1.2 kg)

\*See page 23 for sensor weights.

## Model Number System

### 711-K1-N-P6-C-PP

The 711 is comprised of two parts. The first is the electronics and housing; the second is the sensor. Select the electronics and housings on this page and refer to page 18 for the sensor model number. The housing dimensions can be seen on pages 14 & 15. When ordering a remote housing, order remote cable part number 300-XX-S (XX = length in feet). Orders must have complete model numbers, i.e. each component must have a designator.

\* Match sensor approvals to electronics approvals to maintain the agency listing integrity.

		<b>3</b>		<b>4</b>	
		<b>Power Supply</b>		<b>Sensor Material</b>	
		24 VDC	6	C	Metal
		120 VAC	7	G	Teflon (N Probe Only)
		240 VAC	8		
				<b>5</b>	
		<b>2</b>		<b>Accessories</b>	
		<b>Probe Type</b>		BK	Remote electronics flat surface mounting bracket (R housing only) (see pages 14 & 15)
		Notch	N	CS	CSA Certified Explosion Proof*
		Viscous	V	CV	Canadian Registration Number (CRN) Process ratings may be affected. Consult the factory for details
				FM	FM Approved Explosion Proof*
				PK	Pipe mounting kit, BK accessory required (R housing only) (see page 17)
				PP	Fiber tag with customer specified tag information
				PY	Powder coat epoxy coating applied to housing exterior
				RG	Gold-contact relay (6, 7, 8 power only)
				RR	SS nameplate wired to the unit with customer specified tag information
				TT	SS nameplate permanently affixed to housing with customer specified tag information
				VV	Fungicidal varnish applied to housing exterior
				YY	Epoxy coating applied to housing exterior (200 hours - salt spray)
				PP	← <b>Model Number</b>
<b>1</b>		<b>1</b>			
<b>Electrical Housing</b>		<b>1</b>			
Integral		K			
Remote		R			
(order remote cable part number 300-XX-S, XX = length in feet - max 50 feet)					
711	K1	N	P	6	C

## Agency Approvals

Agency	Safety Method	Approval	Model(s)
FM	Explosion Proof	Class I, Groups C, D; Class II, Groups E, F, G; Class III, Division 1	711x1-N-Px-FM
CSA	Explosion Proof	Class I, Groups C, D Class II, Groups E, F, G; Class III, Division 1	711x1-N-Px-CS



The **721 ultrasonic switch** is an advanced single-point device designed to meet your needs for overfill protection. In addition to the features of the 711, the 721 includes a “Sensor Monitor.” This circuit continuously tests the functionality of the electronics and sensor. The “Sensor Monitor Relay” de-energizes if a fault is detected. The 721 is available with a variety of sensor types to meet most process conditions. It is available integral or remote mounted and comes standard with field-selectable failsafe.



**721 Single Point**

### Features

- No calibration required
- Continuous self-test (sensor monitor) verifies operation
- FM or CSA Certified for hazardous locations
- Field-selectable failsafe
- On/Off time delay is standard
- Rostechnadzor (RTN) standard certificate (available upon request)

Product Specifications			
<b>Input Power</b>		<b>Maximum Current Draw (Line Power)</b>	
Line		24 VDC	220 mA
	120 VAC, 50/60 Hz	120 VAC	60 mA
	240 VAC, 50/60 Hz	240 VAC	30 mA
	24 VDC		
<b>Loop</b>		<b>Response Time (Line Power)</b>	
	11-36 VDC	On	250 mSec
	(Intrinsically safe)	Off	250 mSec
<b>Output Type</b>		<b>Response Time (Loop Power)</b>	
Line		On	0.5 seconds
	Alarm	Off	5 seconds
	10A DPDT, 250 VAC	<b>Time Delay</b>	
	10A DPDT, 30 VDC	0-30 seconds	
	DC rating shown for resistive loads	<b>Enclosure Environmental Rating</b>	
		NEMA 4X; IP65	
	Sensor Monitor	<b>Conduit Connection</b>	
	10A DPDT, 250 VAC	3/4" NPT	
	10A DPDT, 30 VDC	<b>Maximum Remote Distance from Sensor</b>	
	DC rating shown for resistive loads	50 ft. (15.2 m)	
Loop		<b>Ambient Temperature Range</b>	
	Alarm	-40 to 160°F (-40 to 71°C)	
	8 mA (Dry), 16 mA (Wet)	<b>Process Temperature Range</b>	
	Sensor Monitor	-40 to 250°F (-40 to 121°C)	
	5 mA or 19 mA; Field selectable	<b>Maximum Process Pressure</b>	
		2000 psig (138 bar)	
<b>Loop Resistance</b>	650 ohms maximum @ 24 VDC	<b>Weight*</b>	
		3 lbs. (1.4 kg)	
<b>Repeatability</b>	0.078" (2mm)		
<b>Failsafe</b>	Field-selectable		

\*See page 23 for sensor weights.



### Model Number System

## 721R2-N-P7-C-FM

The 721 is comprised of two parts. The first is the electronics and housing; the second is the sensor. Select the electronics and housings on this page and refer to page 18 for the sensor model number. The housing dimensions can be seen on pages 14 & 15. When ordering a remote housing, order remote cable part number 300-XX-S (XX = length in feet). Orders must have complete model numbers, i.e. each component must have a designator.

Sensor Material		4	
Metal	C		
Teflon	G		
Power Supply		3	
24 VDC	6		
120 VAC	7		
240 VAC	8		
24 VDC (Loop)	9		
Probe Type		2	
Notch	N		
Viscous	V		
Electrical Housing		1	
Integral	K		
Remote	R		
(order remote cable part number 300-XX-S, XX = length in feet - max 50 feet)			
<b>721</b>	<b>R</b>	<b>2</b>	<b>N</b>
	<b>P</b>	<b>7</b>	<b>C</b>
	<b>FM</b>		

5 Accessories	
AI	CSA Certified Intrinsically Safe* (9 power only) (N probe only) (K housing only)
BK	Remote electronics flat surface mounting bracket (R housing only) (see pages 14 & 15)
CS	CSA Certified Explosion Proof*
CV	Canadian Registration Number (CRN) Process ratings may be affected. Consult the factory for details
FI	FM Approved Intrinsically Safe* (9 power only)(N Probe only) (K housing only)
FM	FM Approved Explosion Proof*
PK	Pipe mounting kit, BK accessory required (R housing only) (see page 17)
PP	Fiber tag with customer specified tag information
PY	Powder coat epoxy coating applied to housing exterior
RG	Gold-contact relay (6, 7, 8 power only)
RR	SS nameplate wired to the unit with customer specified tag information
TT	SS nameplate permanently affixed to housing with customer specified tag information
VV	Fungicidal varnish applied to housing exterior
YY	Epoxy coating applied to housing exterior (200 hours - salt spray)

**← Model Number**

\*Match sensor approvals to electronics approvals to maintain the agency listing integrity

### Agency Approvals

Agency	Safety Method	Approval	Model(s)
FM	Explosion Proof	Class I, Groups C, D; Class II, Groups E, F, G; Class III, Division 1	721x2-N-Px-FM
	Intrinsically Safe	Class I, Groups C, D; Class II, Groups E, F, G; Class III, Division 1	721K2-N-P9-FI
CSA	Explosion Proof	Class I, Groups C, D; Class II, Groups E, F, G; Class III, Division 1	721x2-N-Px-CS
	Intrinsically Safe	Class I, Groups C, D; Class II, Groups E, F, G; Class III, Division 1	721K2-N-P9-AI



The **712 ultrasonic switch** is a versatile dual-point designed for the detection of clean liquids. The dual-output can be used as independent alarm points or used in tandem to provide pump control. It is available integral or remote mounted and comes standard with field-selectable failsafe.

### Features

- No calibration required
- Optional pump control logic available
- FM and CSA Certified for hazardous locations
- Field-selectable failsafe



712 Dual Point

Product Specifications			
Input Power		Enclosure Environmental Rating	NEMA 4X; IP65
Line	120 VAC, 50/60 Hz	Conduit Connection	1" NPT
	240 VAC, 50/60 Hz	Maximum Remote Distance from Sensor	50 ft. (15.2 m)
	24 VDC	Ambient Temperature Range	-40 to 160°F (-40 to 71°C)
Output Type	(2) 10A DPDT, 250VAC	Process Temperature Range	-40 to 250°F (-40 to 121°C)
	(2) 10A DPDT, 30VDC	Maximum Process Pressure	2000 psig (138 bar)
	DC rating shown for resistive loads	Weight*	7 lbs. (3.2 kg) + 10.5 lbs. (4.8 kg) for cast iron housing + 2 lbs. (1 kg) for remote
Repeatability	0.078" (2mm)		
Failsafe	Field-selectable		
Maximum Current Draw			
24 VDC	280 mA		
120 VAC	120 mA		
240 VAC	60 mA		
Response Time (Line Power)			
On	250 mSec		
Off	250 mSec		

\*See page 23 for sensor weights.

## Model Number System

# 712K3-N-P6-C-YY

712 ultrasonic switch with integral housing, 240VAC power supply, with optional epoxy coating.

The 712 is comprised of two parts. The first is the electronics and housing; the second is the sensor. Refer to page 19 for the sensor model number.

		<b>3 Accessories</b>	
		<b>2</b>	
<b>Power Supply</b>			
	24 VDC	<b>6</b>	<b>BK</b> Remote electronics flat surface mounting bracket (R housing only)(see page 19)
	120 VAC	<b>7</b>	<b>CS</b> CSA Certified Explosion Proof*
	240 VAC	<b>8</b>	<b>CV</b> Canadian Registration Number (CRN) Process ratings may be affected. Consult the factory for details
		<b>1</b>	
<b>Electrical Housing</b>			<b>FM</b> FM Approved Explosion Proof* (except L3 housing)
Integral (Aluminum)	<b>K</b>		<b>PK</b> Pipe mounting kit, BK accessory required (R housing only)(see page 17)
Integral (Cast Iron)	<b>L</b>		<b>PL</b> Pump logic (see page 16 for function and ratings)
Remote (Aluminum)	<b>R</b>		<b>PP</b> Fiber tag with customer specified tag information
(order remote cable part number 300-XX-D, XX = length in feet - max 50 feet)			<b>PY</b> Powder coat epoxy coating applied to housing exterior
			<b>RG</b> Gold-contact relay (6, 7, 8 power only)
			<b>RR</b> SS nameplate wired to the unit with customer specified tag information
			<b>TT</b> SS nameplate permanently affixed to housing with customer specified tag information
			<b>VV</b> Fungicidal varnish applied to housing exterior
			<b>YY</b> Epoxy coating applied to housing exterior (200 hours - salt spray)
<b>712</b>	<b>K</b>	<b>3NP</b>	<b>6</b>
			<b>C</b>
			<b>YY</b>
			← <b>Model Number</b>

## Agency Approvals

Agency	Safety Method	Approval	Model(s)
FM	Explosion Proof	Class I, Groups B, C, D; Class II, Groups E, F, G; Class III, Division 1	712K3-N-Px-FM
		Class I, Groups C, D; Class II, Groups E, F, G; Class III, Division 1	712R3-N-Px-FM
CSA	Explosion Proof	Class I, Groups C, D Class II, Groups E, F, G; Class III, Division 1	712K3-N-Px-CS 712L3-N-Px-CS
		Class I, Groups C, D Class II, Groups E, F, G; Class III, Division 1	712R3-N-Px-CS



The **722 ultrasonic switch** is an advanced dual-point device designed to meet your needs for sump/pump control. In addition to the features of the 712, the 722 includes a “Sensor Monitor.” This circuit continuously tests the functionality of the electronics and sensor (both gaps). The “Sensor Monitor Relay” de-energizes if a fault is detected. It is available integral or remote mounted and comes standard with field-selectable failsafe and time delay.

## Features

- No calibration required
- Continuous self-test (sensor monitor) verifies operation of the unit
- FM and CSA Certified for hazardous locations
- Field-selectable failsafe
- On/Off time delay is standard
- Rostechnadzor (RTN) standard certificate (available upon request)



**722 Dual Point**

Product Specifications			
Input Power	Line	120 VAC, 50/60 Hz	Response Time
		240 VAC, 50/60 Hz	On
		24 VDC	Off
Output Type	Alarm	(2) 10A DPDT, 250 VAC	Time Delay
		(2) 10A DPDT, 30 VDC	0-30 seconds
		DC rating shown for resistive loads	Enclosure Environmental Rating
	Sensor Monitor	(2) 10A DPDT, 250 VAC	NEMA 4X; IP65
		(2) 10A DPDT, 30 VDC	Conduit Connection
		DC rating shown for resistive loads	1" NPT
Repeatability		0.078" (2mm)	Maximum Remote Distance from Sensor
Failsafe		Field-selectable	50 ft. (15.2 m)
Maximum Current Draw (Line Power)	24 VDC	440 mA	Ambient Temperature Range
	120 VAC	120 mA	-40 to 160°F
	240 VAC	60 mA	(-40 to 71°C)
			Process Temperature Range
			-40 to 250°F
			(-40 to 121°C)
			Maximum Process Pressure
			2000 psig (138 bar)
			Weight*
			7 lbs. (3.2 kg) + 10.5 lbs. (4.8 kg)
			for cast iron housing
			+ 2 lbs. (1 kg) for remote.

\*See page 23 for sensor weights.

### Model Number System

## 722K3-N-P6-C-PL

722 ultrasonic switch with integral housing copper-free aluminum, 24VDC power supply, with optional pump logic

The 722 is comprised of two parts. The first is the electronics and housing; the second is the sensor. Refer to page 19 for the sensor model number.

<b>Power Supply</b>		<b>2</b>	<p>24 VDC     6</p> <p>120 VAC    7</p> <p>240 VAC    8</p>
<b>Electrical Housing</b>		<b>1</b>	<p>Integral (Aluminum)    <b>K</b></p> <p>Integral (Cast Iron)    <b>L</b></p> <p>Remote (Aluminum)    <b>R</b></p> <p>(order remote cable part number 300-XX-D, XX = length in feet - max 50 feet)</p>
<b>722</b>	<b>K</b>	<b>3NP</b>	<b>6 C PL</b>

<b>3</b>	<p><b>BK</b> Remote electronics flat surface mounting bracket (R housing only) (see pages 14 &amp; 15)</p> <p><b>CS</b> CSA Certified Explosion Proof*</p> <p><b>CV</b> Canadian Registration Number (CRN) Process ratings may be affected. Consult the factory for details</p> <p><b>FM</b> FM Approved Explosion Proof* (except L3 housing)</p> <p><b>PK</b> Pipe mounting kit, BK accessory required (R housing only)(see page 17)</p> <p><b>PL</b> Pump logic (see page 16 for function and ratings)</p> <p><b>PP</b> Fiber tag with customer specified tag information</p> <p><b>PY</b> Powder coat epoxy coating applied to housing exterior</p> <p><b>RG</b> Gold-contact relay (6, 7, 8 power only)</p> <p><b>RR</b> SS nameplate wired to the unit with customer specified tag information</p> <p><b>TT</b> SS nameplate permanently affixed to housing with customer specified tag information</p> <p><b>YY</b> Epoxy coating applied to housing exterior</p>
----------	---

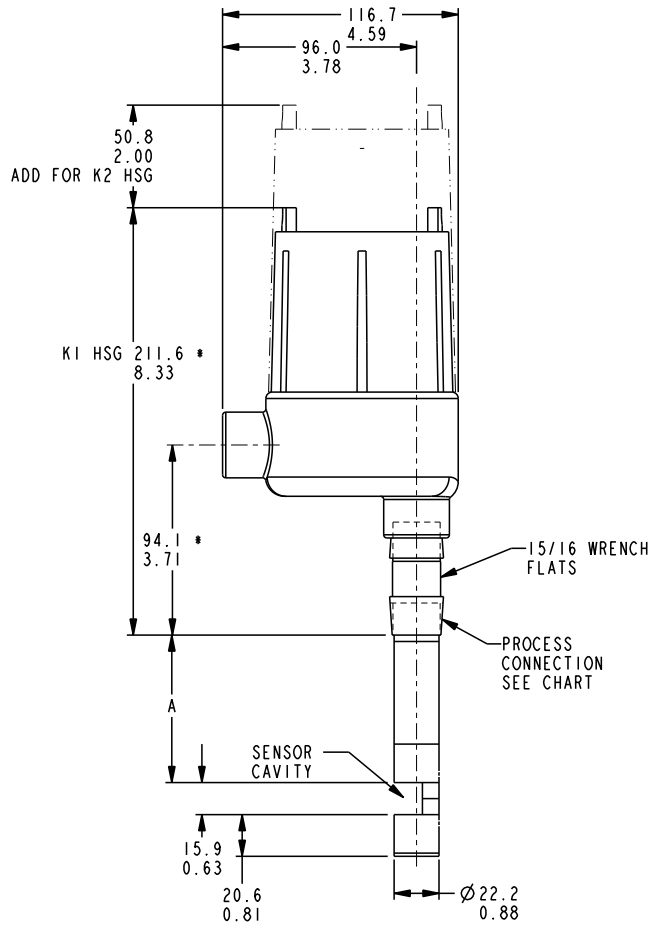
← **Model Number**

### Agency Approvals

Agency	Safety Method	Approval	Model(s)
FM	Explosion Proof	Class I, Groups B, C, D; Class II, Groups E, F, G; Class III, Division 1	722K3-N-Px-FM
		Class I, Groups C, D; Class II, Groups E, F, G; Class III, Division 1	722R3-N-Px-FM
CSA	Explosion Proof	Class I, Groups B, C, D Class II, Groups E, F, G; Class III, Division 1	722K3-N-Px-CS 722L3-N-Px-CS
		Class I, Groups C, D Class II, Groups E, F, G; Class III, Division 1	722R3-N-Px-CS

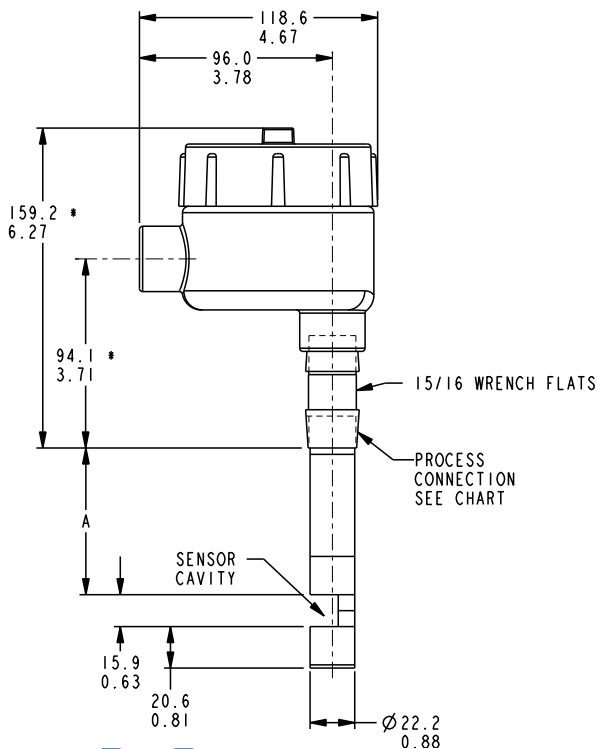


Dimensions in this catalog are for reference only. They may be changed without notice. Contact the factory for certified drawings for a particular model number. Dimensions are expressed as millimeter over inches (Linear = mm/in.).



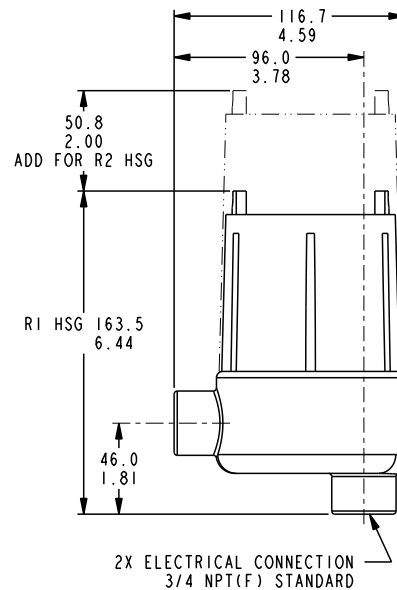
## Housing: K1, K2

Drawing 0390000



## Housing: R1, R2

Drawing 0390034

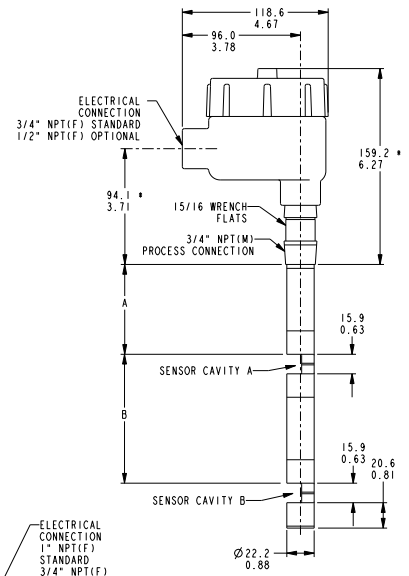
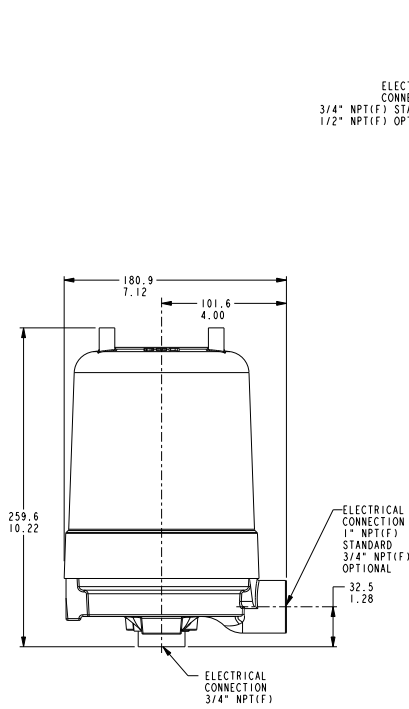
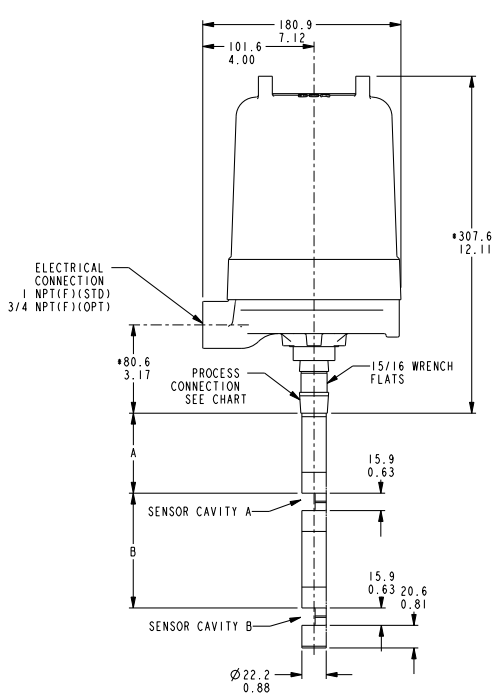


Process Connection	*Add to Length
3/4" NPT(M)	Shown
1" NPT(M)	Add $\frac{8.0}{.313}$
1-1/2" NPT(M) 2" NPT(M)	Add $\frac{9.5}{.375}$

# Ultrasonic Switches

# Dimensions

Dimensions in this catalog are for reference only. They may be changed without notice. Contact the factory for certified drawings for a particular model number. Dimensions are expressed as millimeter over inches (Linear = mm/in.).

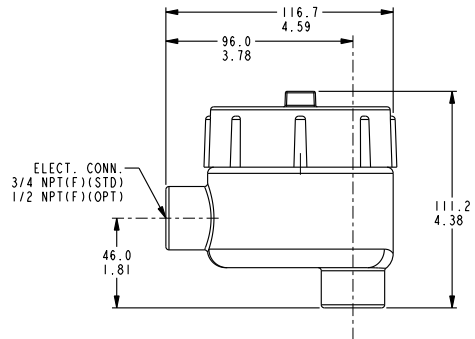
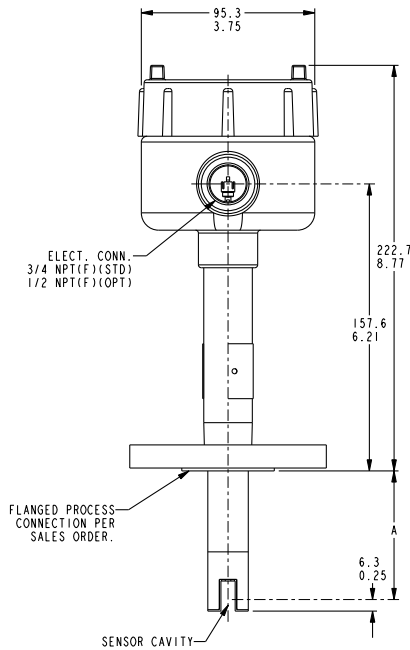


**Housing: R3**  
Drawing 0390040

## Housing: K3, L3

Drawing 0390029

Process Connection	*Add to Length
3/4" NPT(M)	Shown
1" NPT(M)	Add 8.0 .313
1-1/2" NPT(M) 2" NPT(M)	Add 9.5 .375

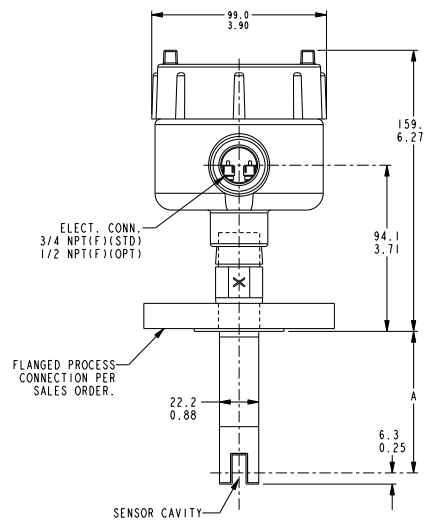


## Housing: R4

Drawing 0390529

## Housing: K4

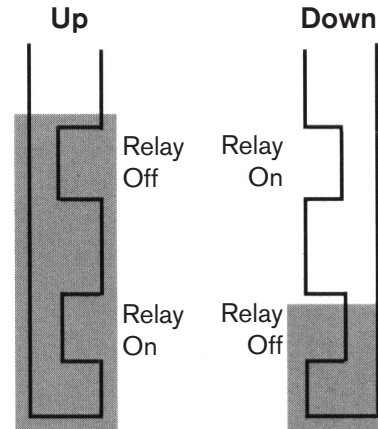
Drawing 0390530



Two point ultrasonic level switches can be supplied with an on-board DPDT relay for pump control. The relay is rated 5 amp, 250 VAC; 5 amp, 30 VDC (resistive) and it can be field wet to pump up (left diagram) or pump down (right diagram).

Adding the pump logic (PL) accessory to the end of a model number changes level indication relays to SPDT and changes current requirements according to the table shown:

Supply Voltage	Maximum Current Draw
24 VDC	350 mA
120 VAC	120 mA
240 VAC	50 mA



### Time Delay

When using time delay accessory OD or OF, choose a standard time delay from the chart below. Include the time delay after the model number.

For example: 701K1-U-P6-C-OD  
OD = 60 seconds.

Time Delay in Seconds (choose one)		
1	35	100
5	50	120
15	60	150
25	70	190

### Approximate Weights\*

Actual shipping weights may vary from charted values because of product material, configurations and packaging requirements. For remote electrical housing add 2 lbs. (1kg) to total weight.

Ultrasonic Series	Weight (lbs.)	(kgs)	Additional Weights
701, 711	2.5	1.2	---
721	3	1.4	---
712, 722	7	3.2	10.5 lbs. (4.8 kg) for cast iron housing

\*See page 23 for sensor weights.

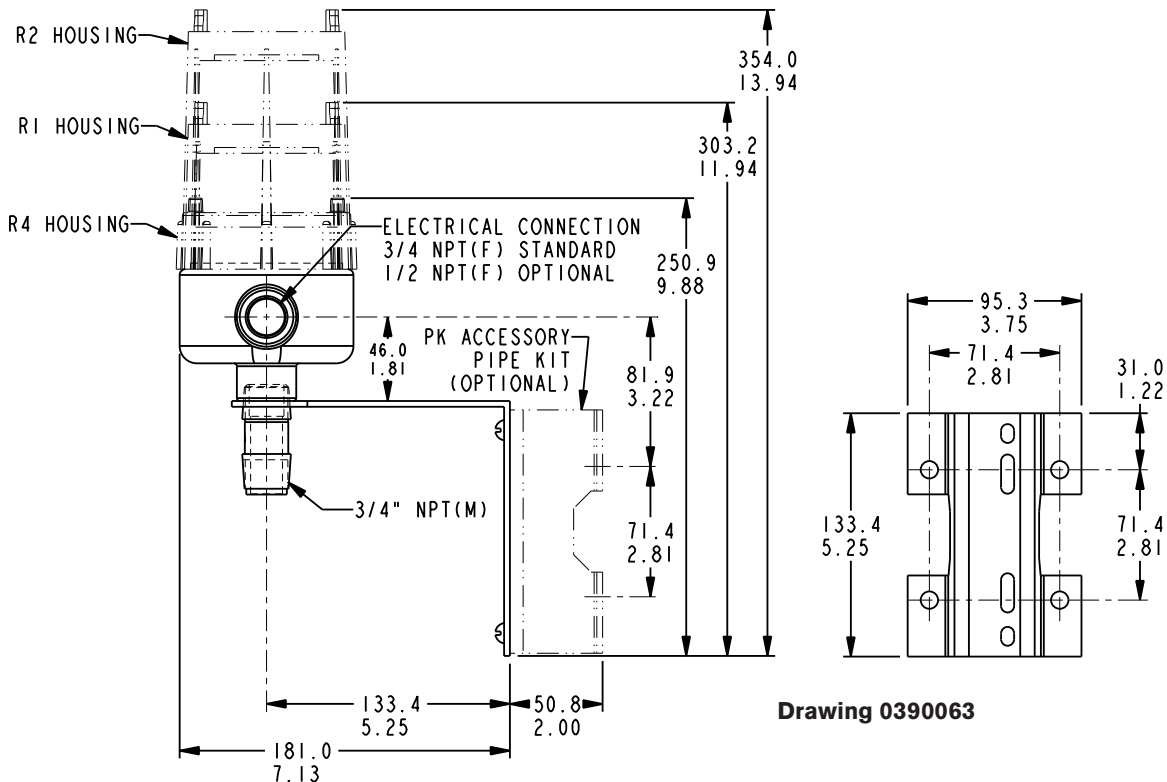
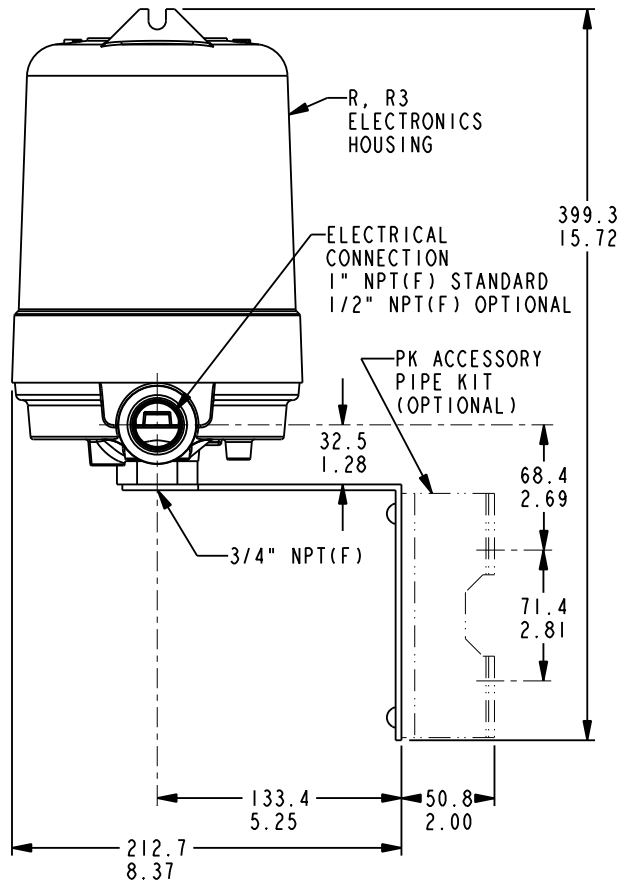


**Drawing 0390062**

Remote electronic housings are supplied for line mounting as a standard. Optional brackets are available for flat surface or pipe mounting.

The basic BK bracket can be adapted for mounting onto 1-1/2" to 2" pipe or stanchion by adding designator PK after BK.

For the basic flat surface mounting bracket, add designator BK to the end of any model number from the controls section in the front of this catalog. Linear = mm/in.



**Drawing 0390063**

## Model Number System

# 371-U 2-C 3A-RR

The 371 sensor is designed for use with all single-point ultrasonic electronic unit.

<b>3 Sensor Material</b>		<b>3</b>	<b>4 Process Connection</b>		<b>4</b>															
316SS (standard) Monel (N type sensor) Carpenter 20 (N type sensor) Hastelloy C (N type sensor) Teflon (N type sensor) <sup>2</sup>		C A L J G	3A 3/4" NPT 4A 1" NPT 5A 1-1/2" NPT 6A 2" NPT 3D 1" 150# ANSI RF Flange 3E 1-1/2" 150# ANSI RF Flange 3F 2" 150# ANSI RF Flange 3G 3" 150# ANSI RF Flange 3H 4" 150# ANSI RF Flange 3K 1" 300# ANSI RF Flange 3L 1-1/2" 300# ANSI RF Flange 3M 2" 300# ANSI RF Flange 3N 3" 300# ANSI RF Flange 3P 4" 300# ANSI RF Flange		3A 4A 5A 6A 3D 3E 3F 3G 3H 3K 3L 3M 3N 3P	<b>5 Accessories</b>		<b>5</b>												
<b>2 Insertion Length</b>		<b>2</b>	<b>1 Sensor Type</b>		<b>1</b>															
Enter the required probe length, "A", in inches (as a decimal, up to five characters including the decimal, leading zeroes not required. Max. two digits after decimal point).		Probe Length in Decimal Form	Vertical Gap (701) <b>U</b> Horizontal (Notch) Gap (711, 721) <b>N</b> Viscous Gap (711, 721) <sup>1</sup> <b>V</b>		U N V															
<table border="1"> <thead> <tr> <th>Probe Description</th> <th>Allowable Lengths</th> </tr> </thead> <tbody> <tr> <td>"U" Sensor (Vertical Gap 701)</td> <td>1.16"-180" (30-4572mm)</td> </tr> <tr> <td>"U" Sensor with Flanged Connection (Vertical Gap 701)</td> <td>3"-180" (77-4572mm)</td> </tr> <tr> <td>"N" Sensor with "A", "L", "J" or "C" Material (Horizontal Gap 711, 721)</td> <td>3"-180" (77-4572mm)</td> </tr> <tr> <td>"N" Sensor with "G" Material (Horizontal Gap 711, 721)</td> <td>3"-48" (77-1219mm)</td> </tr> <tr> <td>"V" Sensor with Flanged Connection (Horizontal Gap 711, 721)</td> <td>3"-180" (77-4572mm)</td> </tr> </tbody> </table>		Probe Description	Allowable Lengths	"U" Sensor (Vertical Gap 701)	1.16"-180" (30-4572mm)	"U" Sensor with Flanged Connection (Vertical Gap 701)	3"-180" (77-4572mm)	"N" Sensor with "A", "L", "J" or "C" Material (Horizontal Gap 711, 721)	3"-180" (77-4572mm)	"N" Sensor with "G" Material (Horizontal Gap 711, 721)	3"-48" (77-1219mm)	"V" Sensor with Flanged Connection (Horizontal Gap 711, 721)	3"-180" (77-4572mm)	371	U	2	C	3A	RR	← <b>Model Number</b>
Probe Description	Allowable Lengths																			
"U" Sensor (Vertical Gap 701)	1.16"-180" (30-4572mm)																			
"U" Sensor with Flanged Connection (Vertical Gap 701)	3"-180" (77-4572mm)																			
"N" Sensor with "A", "L", "J" or "C" Material (Horizontal Gap 711, 721)	3"-180" (77-4572mm)																			
"N" Sensor with "G" Material (Horizontal Gap 711, 721)	3"-48" (77-1219mm)																			
"V" Sensor with Flanged Connection (Horizontal Gap 711, 721)	3"-180" (77-4572mm)																			

<sup>1</sup> "V" type sensor requires a 3" or larger flange connection.

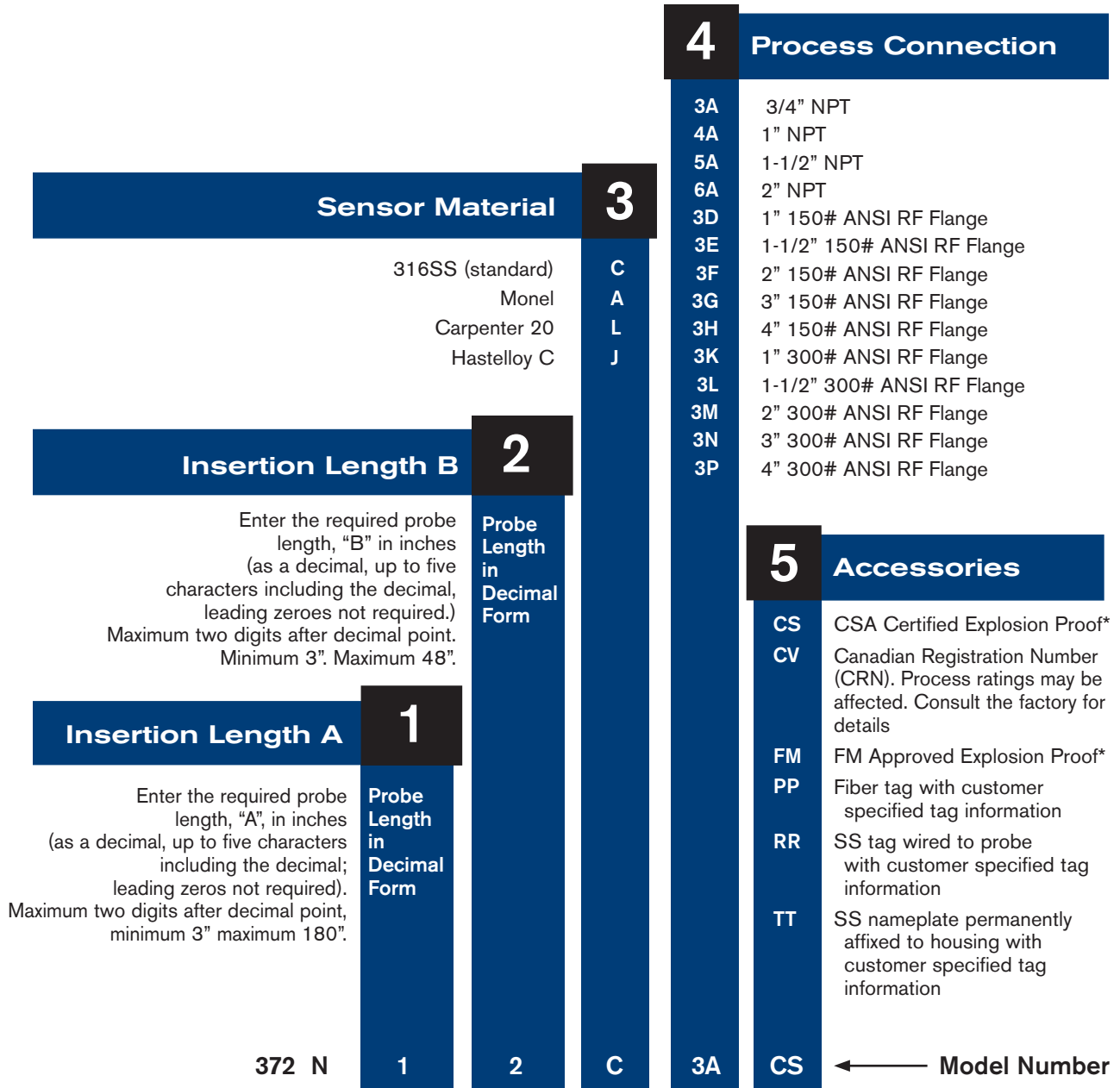
<sup>2</sup> "G" Sensor material is only available with 3/4" process connection.

\*Match sensor approvals to electronics approvals to maintain the agency listing integrity.

## Model Number System

### 372-N 12-C3A-CS

The 372 sensor is designed for use with all dual-point ultrasonic electronic units.



See page 23 for flange weights.

\*Match sensor approvals to electronics approvals to maintain the agency listing integrity.

# Ultrasonic Switches

## Electronics

Certificates	Loop Power (P9)	Line Power (P6, P7, P8)	All Sensors
Calibration C1	◆	◆	
Hydrostatic Pressure Test C2			◆
Inspection Report C3	◆	◆	
Compliance / Conformance C4	◆	◆	
Insulation Resistance C6		◆	

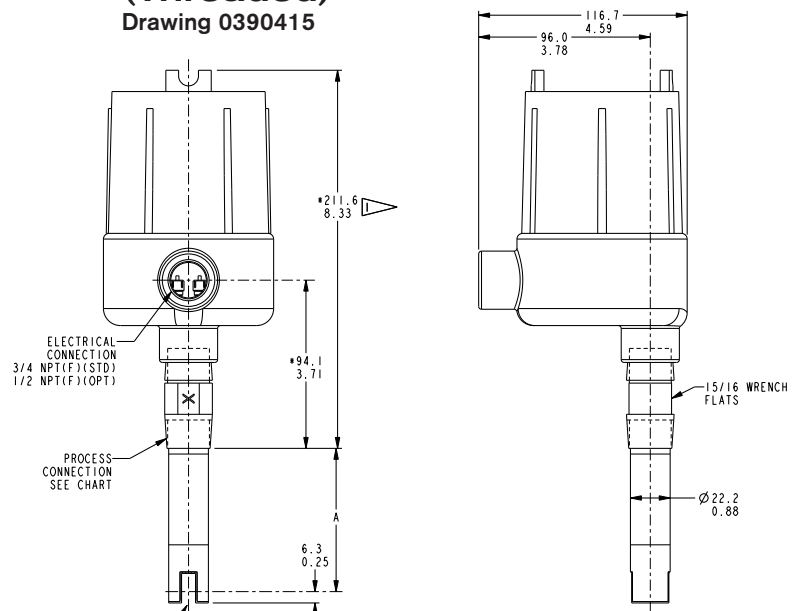
## Sensor Dimensions

Dimensions shown are for reference only. Contact the factory for certified dimension drawings.

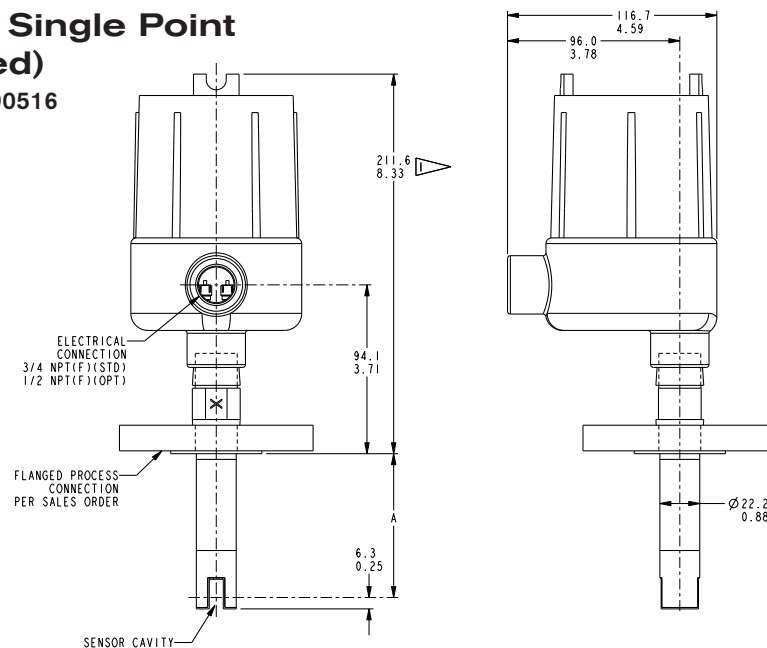
Linear = mm/in.

Process Connection	*Add to Length
3/4" NPT(M)	Shown
1" NPT(M)	Add $\frac{8.0}{.313}$
1-1/2" NPT(M) 2" NPT(M)	Add $\frac{9.5}{.375}$

### Type U Single Point (Threaded) Drawing 0390415



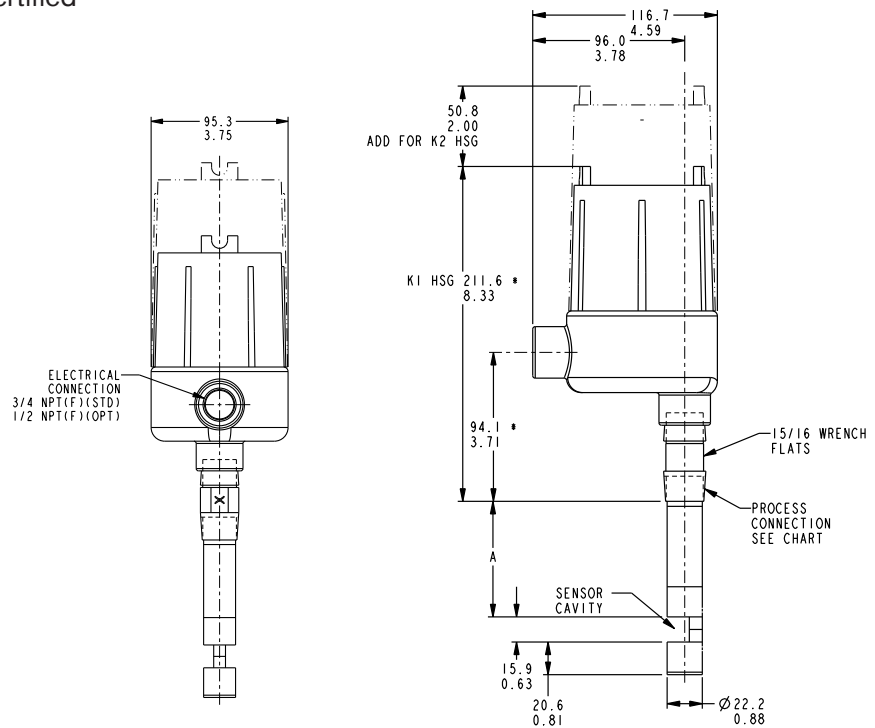
### Type U Single Point (Flanged) Drawing 0390516



Dimensions shown are for reference only. Contact the factory for certified dimension drawings.

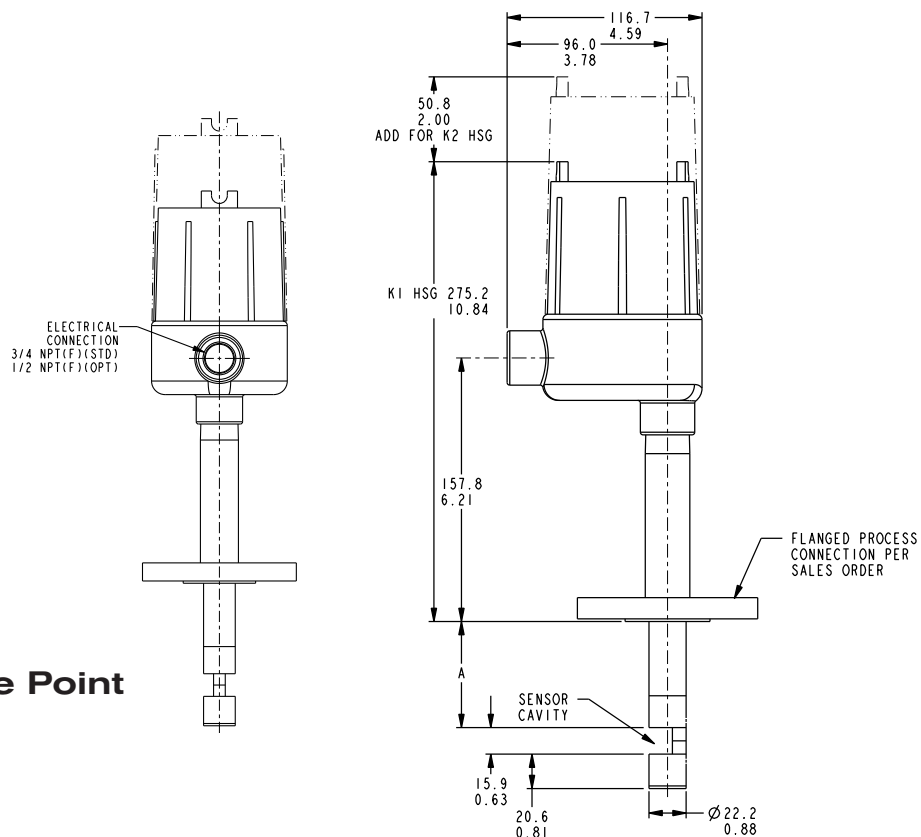
Linear = mm/in.

Process Connection	*Add to Length
3/4" NPT(M)	Shown
1" NPT(M)	Add $\frac{8.0}{.313}$
1-1/2" NPT(M)	Add $\frac{9.5}{.375}$
2" NPT(M)	Add $\frac{9.5}{.375}$



## Type N Single Point (Threaded)

Drawing 0390000

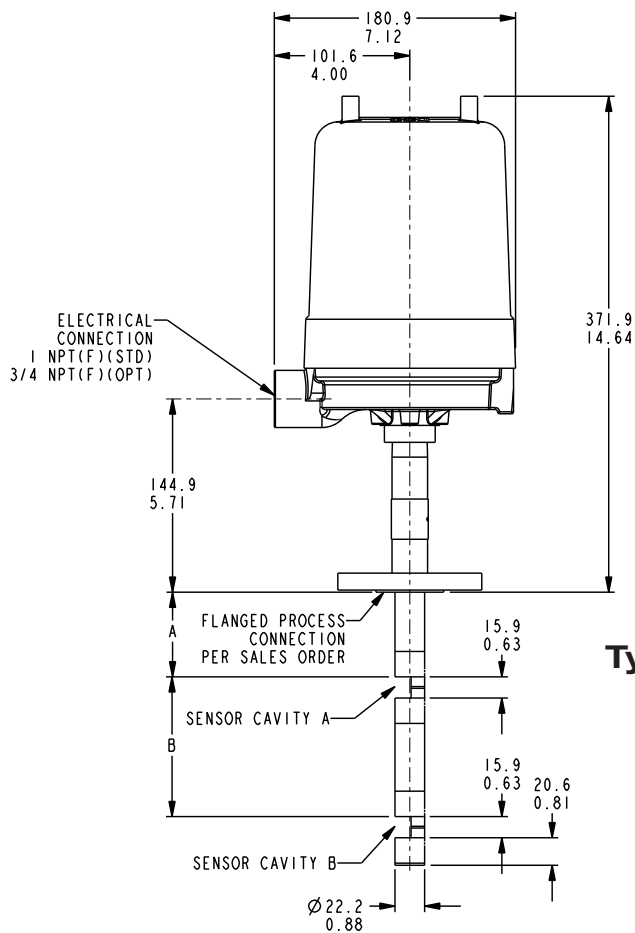
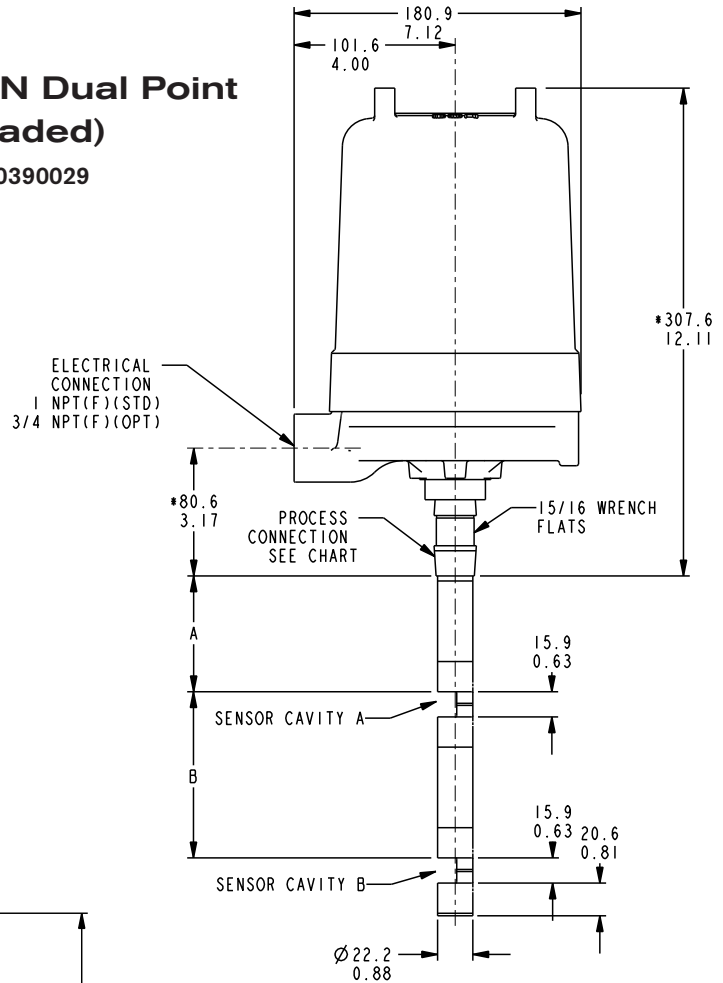


## Type N Single Point (Flanged)

Drawing 0390025

Dimensions shown are for reference only. Contact the factory for certified dimension drawings.  
 Linear = mm/in.

**Type N Dual Point  
 (Threaded)**  
 Drawing 0390029

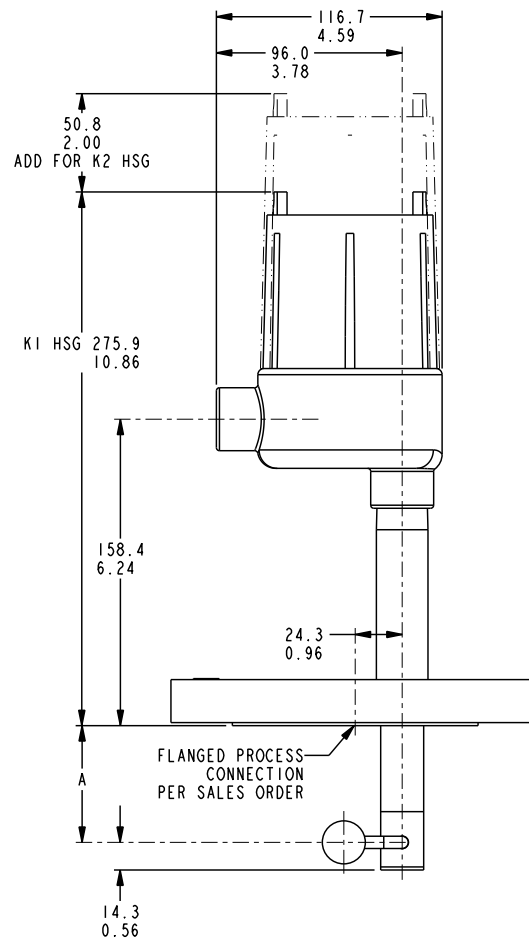


**Type N Dual Point  
 (Flanged)**  
 Drawing 0390030

Dimensions shown are for reference only. Contact the factory for certified dimension drawings. (Linear = mm/in.)

### Type V Single Point (Flanged)

Drawing 0390439



Sensor Style	Weight
Types U & N	0.5 lbs. for first 6" 1 lb. (0.5 kg) for each additional 12"
Type V	11.5 lbs. (5.2 kg) for first 6" (includes flange) 1 lb. (0.5 kg) for each additional 12"

### Flange Weight and Pressure Rating

Process Connection	Add to Weight		Maximum Pressure Rating
	lbs.	kg	
3D	2	1.0	275 psig (19 bar)
3E	4	1.8	
3F	5	2.3	
3G	9	4	
3H	17	8	
3K	3	1.5	720 psig (50 bar)
3L	6	2.7	
3M	8	3.6	
3N	16	7.5	
3P	27	12.5	



MEASUREMENT AND CONTROL

**SOR Inc.** | Lenexa, KS USA | 913-888-2630 | Fax 913-888-0767 | [SORInc.com](http://SORInc.com)

**REGIONAL OFFICES**

---

**China**

SOR China | Beijing, China | [china@SORInc.com](mailto:china@SORInc.com)  
+86 (10) 5820 8767 | Fax +86 (10) 58 20 8770

**Middle East**

SOR Measurement & Control Equipment Trading DMCC | Dubai, UAE  
[middleeast@SORInc.com](mailto:middleeast@SORInc.com) | +971 4 363 3637 | Fax + 1 913 312 3596