



Point Level Reed Switch

General Instructions

The SOR® Point Level Reed Switches are used in tandem with the with the existing 1100 Series Magnetic Level Indicator to increase level control. The field adjustable design makes it the perfect solution for adding or reconfiguring switches without additional pipe fabrication. Each switch will ship already mounted to the indicator chamber using hose clamps and set to the customer's desired set point.

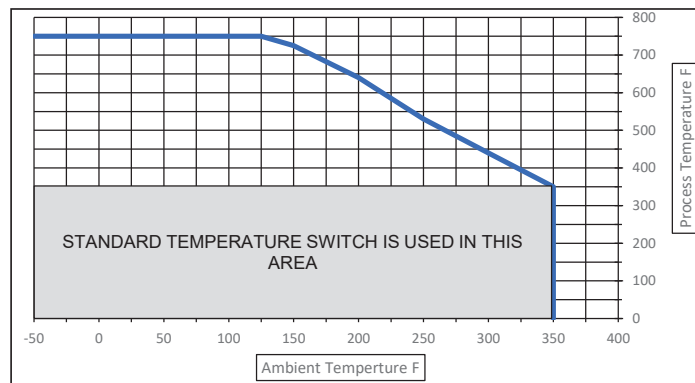


NOTE: If you suspect that a product is defective, complete the online [RMA Request Form](http://sorinc.com) at sorinc.com, contact the factory or the SOR Representative in your area for a return authorization number (RMA). This product should only be installed by trained and competent personnel.

Product Specifications

SPDT	Standard	High Temperature
Max Power	25 Watts	25 Watts
Temperature Rating	See Process vs Ambient Temperature chart below.	
Dead Band	1/2" (12.7mm)	3/4" (19mm)
DPDT	Standard	High Temperature
Max Power	25 Watts	25 Watts
Temperature Rating	See Process vs Ambient Temperature chart below.	
Dead Band	3/4" (19mm)	1" (25.4mm)

Process vs Ambient Temperature Point Level Switch



*Design and specifications are subject to change without notice.
For latest revision, go to sorinc.com*

Mounting

Point level switches are available to be used in tandem with the 1100 Series Magnetic Level Indicator. Each switch will ship already mounted to the indicator chamber using hose clamps and set to the customer's desired set point. To change the set point, simply loosen the hose clamps and raise or lower the switch assembly.

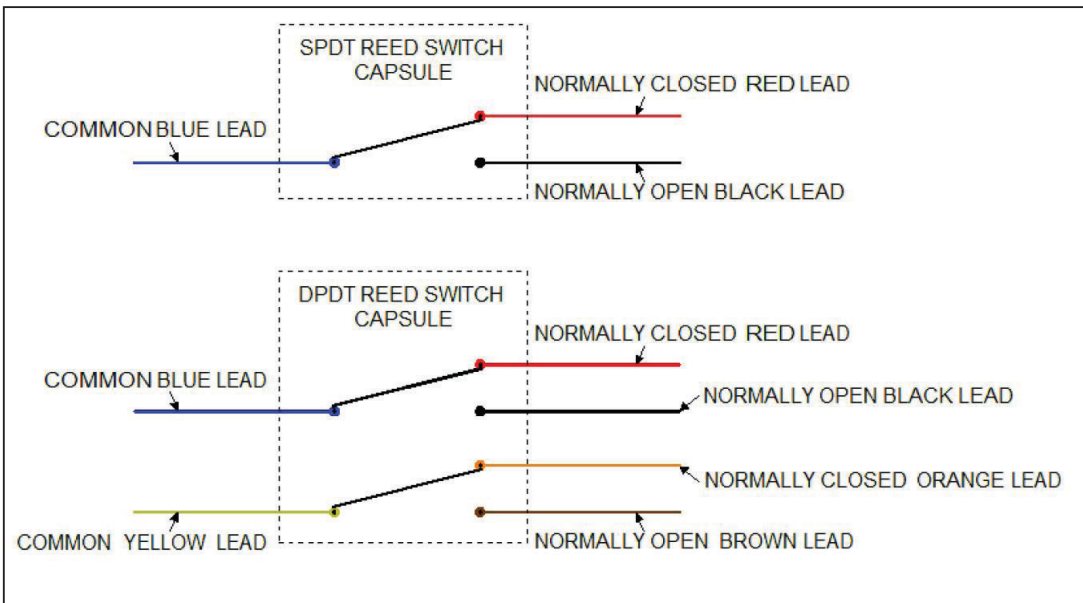
Electrical Connection/Specifications

SOR
LENEXA, KS USA 66215

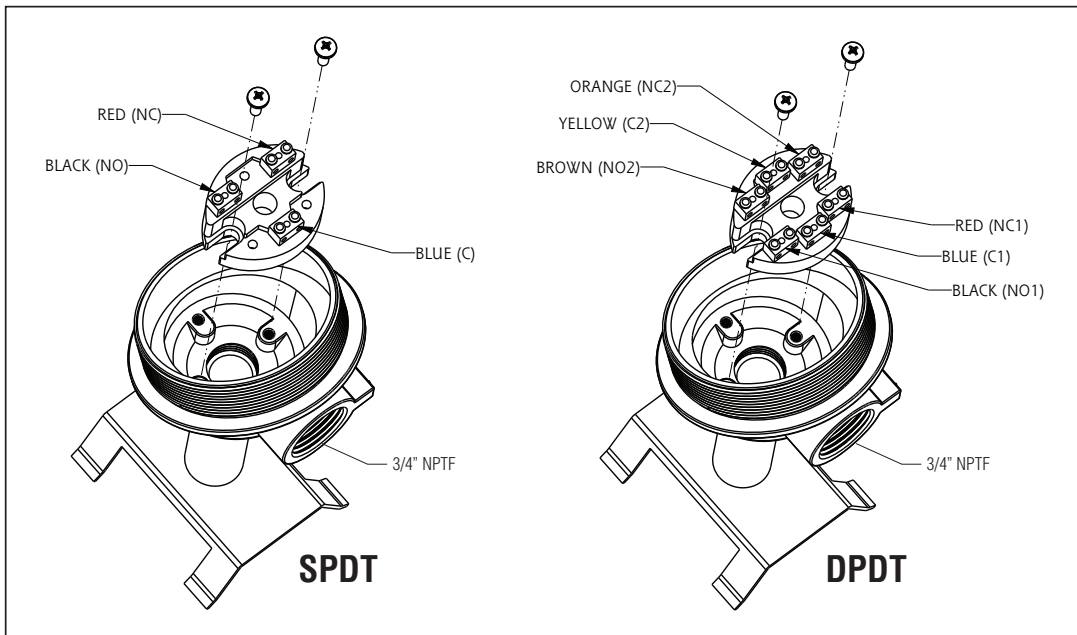
ELECTRICAL RATING

130 VAC	at	0.2A	MAX
230 VAC	at	0.1A	MAX
150 VDC	at	1A	MAX

Standard Wiring



Optional Housing/Terminal Block Wiring



NOTE: Ensure that the wiring conforms to all applicable local and national electrical codes and install unit(s) according to relevant national and local safety codes.



Do not exceed catalog stated electrical ratings. Improper current input to switch will cause permanent damage to contacts.

Troubleshooting

Symptom	Possible Cause	Corrective Action
Level is above auxiliary switch position with no output signal	Switch not reset prior to install	Move the float from bottom to top and return to bottom. If problem persists, consult factory.
	Switch is damaged	Contact factory for replacement switch.
Level is below switch position with output signal	Switch not reset prior to install	Move the float from bottom to top and return to bottom. If problem persists, consult factory.
	Switch is damaged	Contact factory for replacement switch.



14685 W. 105th St., Lenexa, KS 66215 ■ 913-888-2630 ■ 800-676-6794 USA ■ SORInc.